

REV	ECN	DESCRIPTION	DATE	MODIFIED
1		PRE-RELEASE	2025.09.06	
2		UPDATE DIMENSIONS	2025.10.22	

Note (备注):

1. Material (Finish)

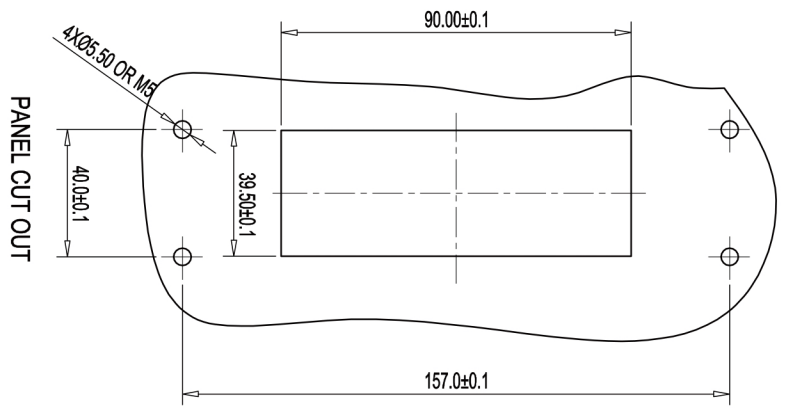
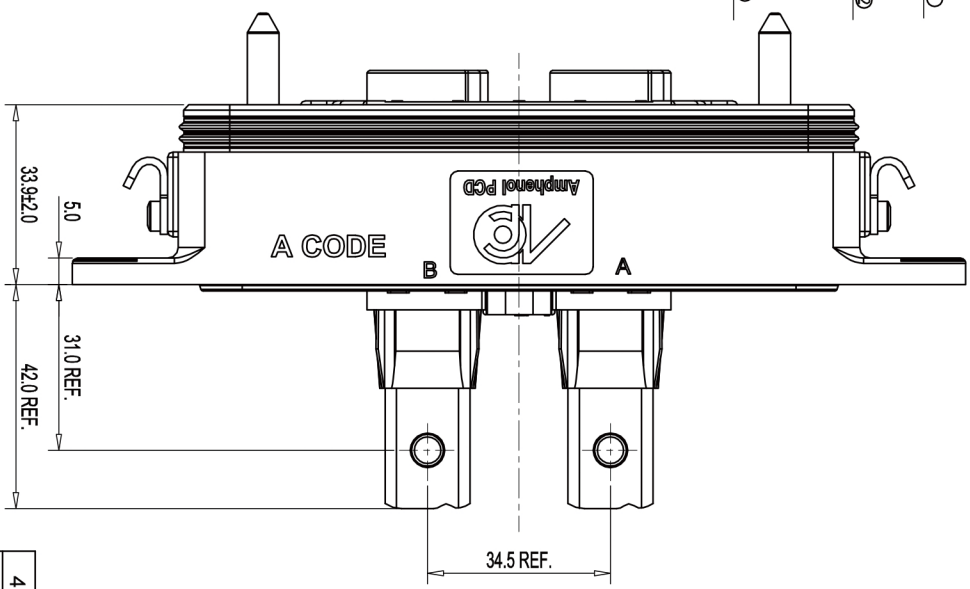
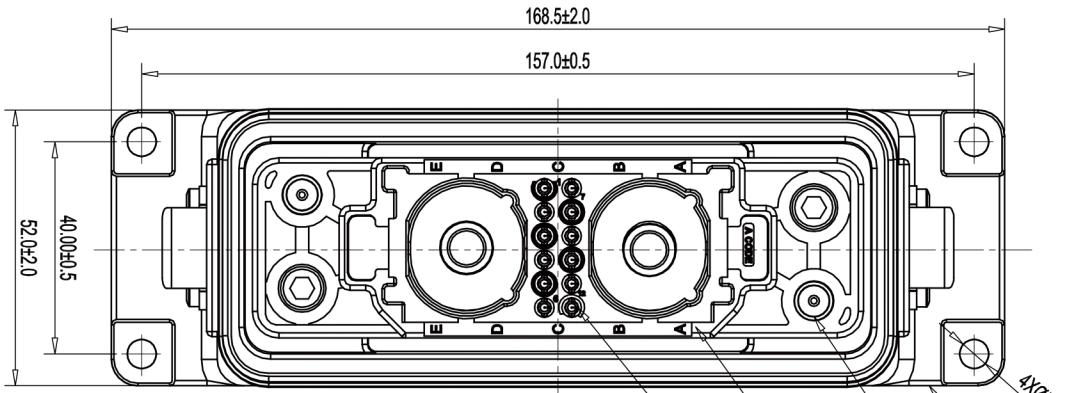
部件表面处理
Shell: Aluminum alloy Epoxy powder painting/color:black
外壳: 铝合金/喷粉颜色为黑色
Insert: Thermoplastics UL94-V0
插芯: 热塑性塑料 UL94-V0
Contact: 10mm pin power contacts,
2 Pcs for 70 Sqmm cable,
12X16# for signal with 0.75-1.0mm²
Copper alloy/ Silver or Nickel plated (cimp type
端子: 10mm公针端子 2根用于70平方线缆
12根1.0mm母针用于信号0.75-1.0mm²
铜合金镀银/压接式

2. Mechanical data

机械性能
Operating Temperature: -40°C ~ +125°C
工作温度: -40°C ~ +125°C
IP-Class: IP67
防水等级: IP67
Mechanic Durability: Body more than 5000 cycles
机械寿命: 主体至少5000次(需按期维护)

3. Electrical data:

电气性能
Single module withstanding voltage: 4000V AC (1 minute)
单芯模块耐电压: 4000VAC (1分钟)
Rated Voltage: 1000V DC For Power
额定电压: 1000V DC
Rated Current: 300A max.
额定电流: 300A max.
Insulation Resistance: 5000 MΩ Min
绝缘阻抗: 大于5000 MΩ
Contact Resistance: Less than 5 milliohms
接触阻抗: 小于5mΩ



DIMENSIONS		TOLERANCES		PROJECTION		TITLE																
ANSI Y14.5M	X	± 0.5		Amphenol PCD Shenzhen		SIZE	DWG NO.															
UNITS: MM	XX	± 0.05		ENGR	A3	HS016F300S10D70PTR																
CAD FILE	ANGLES	± 2.0°	CHKD	SCALE	1:1	SHEET	1 OF 1															
ORIGINAL	<p style="font-size: small;">THIS DOCUMENT CONTAINS PROPRIETARY INFORMATION WHICH IS THE CONFIDENTIAL PROPERTY OF AMPHENOL PCD SHENZHEN. ALL RIGHTS ARE RESERVED. AMPHENOL PCD SHENZHEN ACCEPTS NO LIABILITY FOR THE RIGHT TO CLARIFY THIS DRAWING.</p>		APPD	<p style="text-align: center;">HS POWER CONNECTOR RECEPTACLE A CODE</p>		REV	2															
				<table border="1"> <thead> <tr> <th>ITEM</th> <th>DESCRIPTION</th> <th>QTY</th> </tr> </thead> <tbody> <tr> <td>4</td> <td>0.75-1.0MM2 PIN CONTACT, SILVER</td> <td>12</td> </tr> <tr> <td>3</td> <td>70MM2 PIN CONTACT</td> <td>2</td> </tr> <tr> <td>2</td> <td>E16 FLOATING SOCKET FRAME&MODULE</td> <td>1</td> </tr> <tr> <td>1</td> <td>CONNECTOR HOUSING</td> <td>1</td> </tr> </tbody> </table>		ITEM	DESCRIPTION	QTY	4	0.75-1.0MM2 PIN CONTACT, SILVER	12	3	70MM2 PIN CONTACT	2	2	E16 FLOATING SOCKET FRAME&MODULE	1	1	CONNECTOR HOUSING	1		
ITEM	DESCRIPTION	QTY																				
4	0.75-1.0MM2 PIN CONTACT, SILVER	12																				
3	70MM2 PIN CONTACT	2																				
2	E16 FLOATING SOCKET FRAME&MODULE	1																				
1	CONNECTOR HOUSING	1																				