



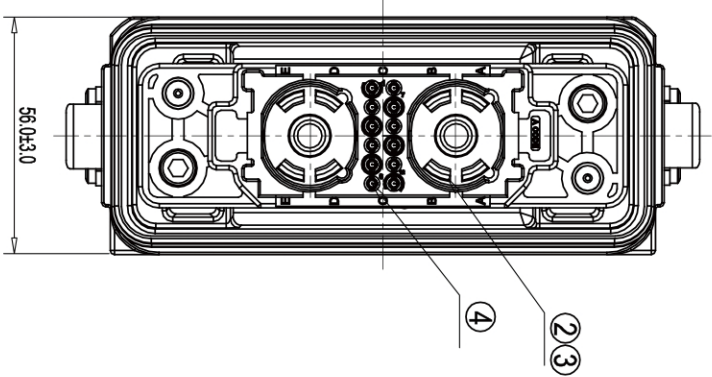
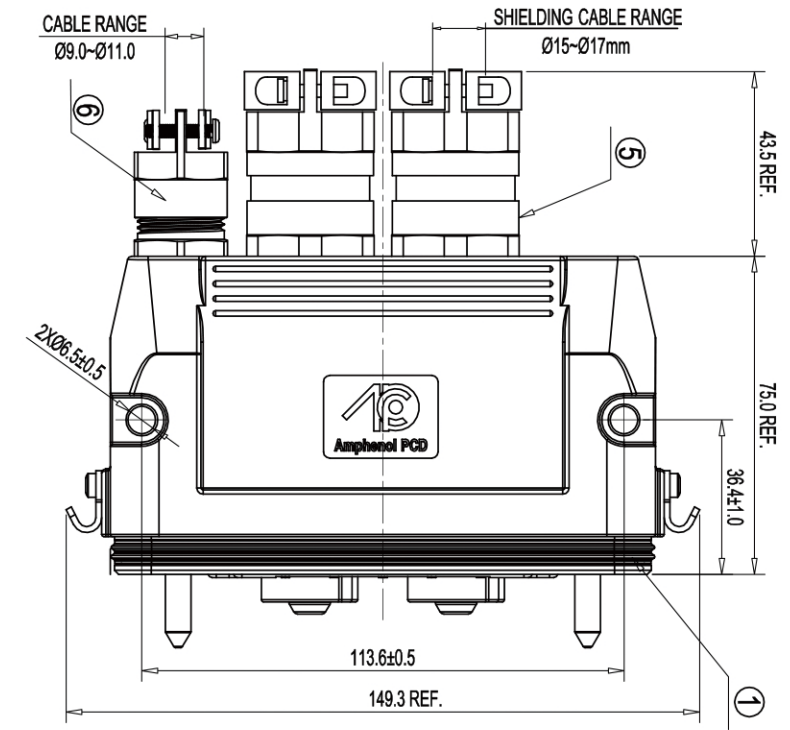
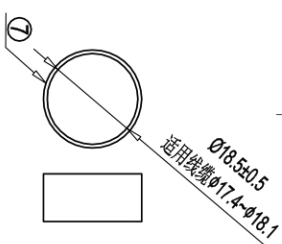
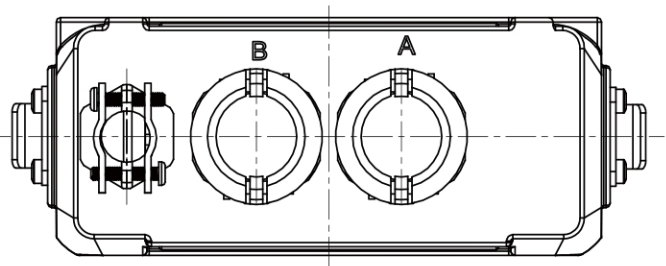
安费诺精密连接器(深圳)有限公司
Amphenol PCD Shenzhen
受控文件
2026年1月7日

Notes (备注):

- Material / Finish
部件表面处理
Shell: Aluminum alloy/ Epoxy powder painting/color/black
外壳: 铝合金/漆粉颜色为黑色
Insert: Thermoplastics UL94-V0
插芯: 热塑性塑料 UL94-V0
Contact: 10mm pin power contacts,
2 Pos for 70 Sqmm cable,
12X16# for signal with 0.75-1.0mm²
Copper alloy / Silver plated (strip type)
端子: 10mm公针端子, 2根用于70平方线缆
12根1.6mm公针用于信号0.75-1.0mm²
铜合金/镀银压接式
- Mechanical data
机械性能
Operating Temperature: -40°C ~ +125°C
工作温度: -40°C ~ +125°C
IP-Class: IP67
防水等级: IP67
Mechanic Durability: Body more than 5000 cycles
机械寿命: 主体至少5000次(需按册维护)
7#屏蔽环压接后总直径不可超过19mm
5#&6#线夹子内侧建议刷PP-400 密封胶后再夹线缆

Electrical data:

- Electrical data:
Single module withstanding voltage: 4000V AC (1 minute)
单芯模块耐压: 4000V AC (1分钟)
Rated Voltage: 1000V DC For Power
额定电压: 1000V DC
Rated Current: 300A max.
额定电流: 300A max.
Insulation Resistance: 5000 MO Min
绝缘阻抗: 大于5000 MO
Contact Resistance: Less than 5 milliohms
接触阻抗: 小于5mΩ



ITEM	DESCRIPTION	QTY
7	SHIELDING BUSH FOR 70mm ²	2
6	M20 NON-SHIELDING CABLE GLAND	1
5	M25 SHIELDING CABLE GLAND	2
4	0.75MM ² PIN CONTACT, SILVER PLATED	12
3	70MM ² PIN CONTACT	2
2	E16 PIN FRAME WITH MODULE	1
1	CONNECTOR HOOD WITH 2X M25-M20 ENTRY	1

HS POWER CONNECTOR
RECEPTACLE

DIMENSIONS	TOLERANCES	PROJECTION	Amphenol PCD Shenzhen
ANSI Y14.5M UNITS: MM CAD FILE	X ± 0.5 XX ± 0.05 ANGLES ± 2.0°		CHK: APPD

SIZE	DWG NO.	SCALE	SHEET	REV
A3	HS016F300P10D70XTR	0.8:1	1 OF 1	2

REV	ECN	DESCRIPTION	DATE	MODIFIED
1		PRE-RELEASE	2025.09.27	
2		UPDATE DIMENSIONS	2025.10.21	