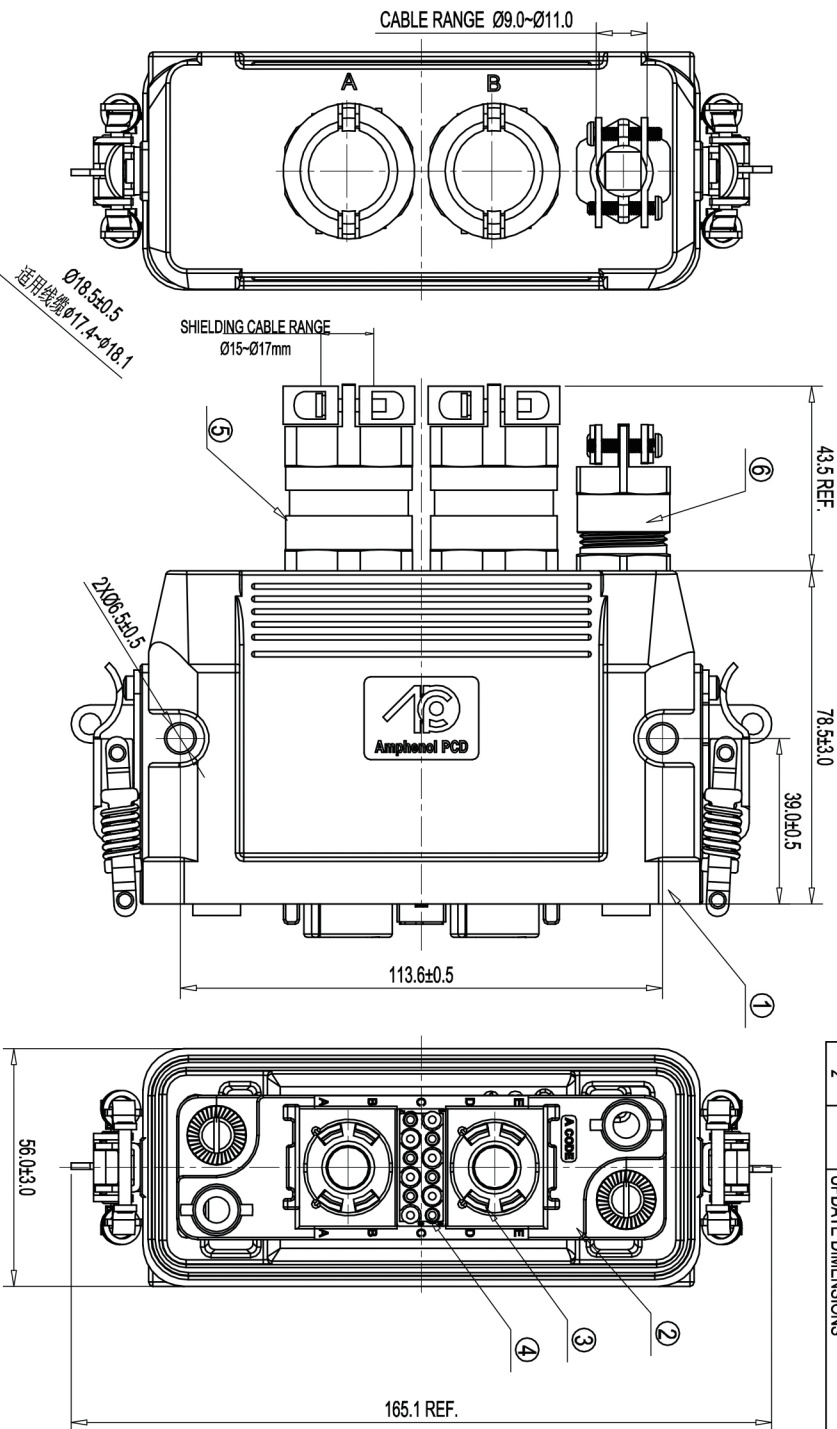


REV	ECN	DESCRIPTION	DATE	MODIFIED
1		PRE-RELEASE	2025.09.06	
2		UPDATE DIMENSIONS	2025.10.21	



Note (备注):

1. Material / Finish

部件表面处理

Shell: Aluminum alloy / Epoxy powder painting/color/black

外壳: 铝合金 / 漆粉 / 颜色为黑色

Insert: Thermoplastics UL94-V0

插芯: 热塑性塑料 UL94-V0

Contact: 10mm socket power contacts,

2. Pos for 70 Strmm cable,

12X16# for signal with 0.75-1.0mm2

Copper alloy / Silver plated /crimp type

端子: 10mm母针端子, 2根用于70平方线缆

12根: 1.0mm母针用于信号0.75-1.0mm2

铜合金/镀银/压接式

2. Mechanical data

机械性能

Operating Temperature: -40°C ~ +125°C

工作温度: -40°C ~ +125°C

IP-Class: IP67

防水等级: IP67

Mechanic Durability: Body more than 5000 cycles

机械寿命: 主体至少5000次 (需按册维护)

7#屏蔽环压接后总直径不可超过19mm

5#8#线夹子均侧建议朝P-40 30度加水后再夹线拧紧

3. Electrical data:

电气性能

Single module withstanding voltage: 4000V AC (1 minute)

单芯模块耐压: 4000VAC (1分钟)

Rated Voltage: 1000V DC For Power

额定电压: 1000V DC

Rated Current: 300A max.

额定电流: 300A max.

Insulation Resistance: 5000 MO Min

绝缘电阻: 大于5000 MO

Contact Resistance: Less than 5 milliohms

接触电阻: 小于5mΩ

ITEM	DESCRIPTION	QTY
7	SHIELDING BUSH FOR 70mm2	2
6	M20 NON-SHIELDING CABLE GLAND	1
5	M25 SHIELDING CABLE GLAND	2
4	0.75-1.0MM2 SOCKET CONTACT, SILVER	12
3	70MM2 SOCKET CONTACT	2
2	E16 FLOATING SOCKET FRAME	1
1	CONNECTOR HOOD WITH 2XM25+M20 ENTRY	1

HS POWER CONNECTOR PLUG

TITLE

Amphenol PCD Shenzhen

DIMENSIONS

ANSI Y14.5M

UNITS: MM

CAD FILE

TOLERANCES

X ± 0.5

.XX ± 0.05

ANGLES ± 2.0°

PROJECTION

ANSI Y14.5M

UNITS: MM

CAD FILE

Amphenol PCD Shenzhen

ENGR

CHKD

APPD

SIZE

A3

DWG NO.

HS016M300S10D70XTR

SCALE

1:1

SHEET

1 OF 1

REV

2

SCALE

1:1

SHEET

1 OF 1

安费诺精密连接器(深圳)有限公司 Amphenol PCD Shenzhen
受控文件
2026年1月1日

PROPRIETARY INFORMATION WHICH IS THE CONFIDENTIAL PROPERTY OF AMPHENOL PCD SHENZHEN. ALL RIGHTS RESERVED. THE RIGHT TO CLAIM THIS DRAWING.
--