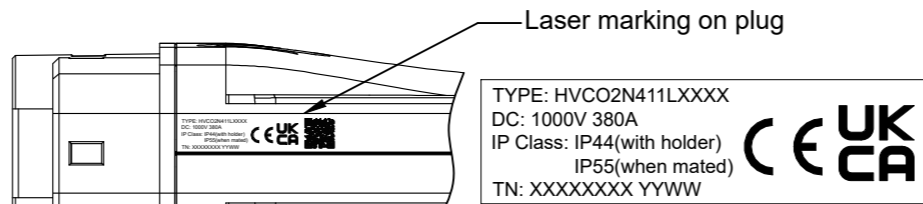
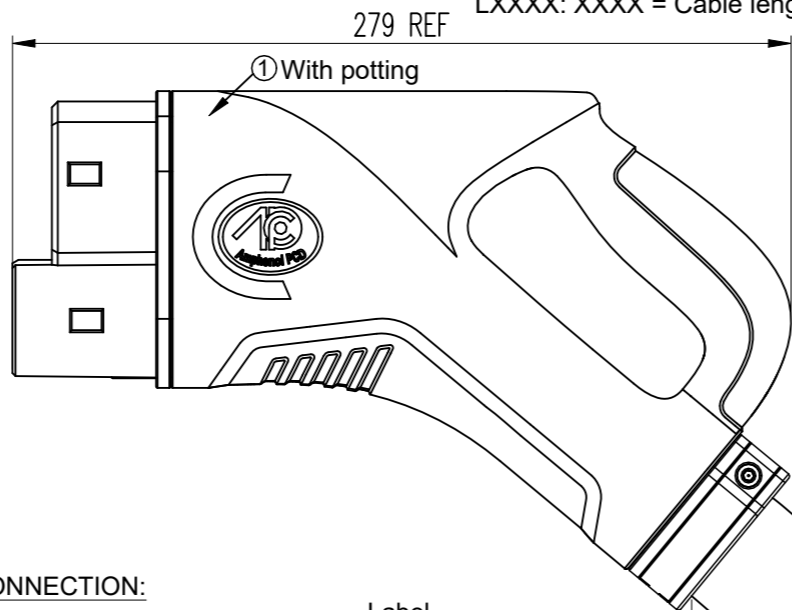
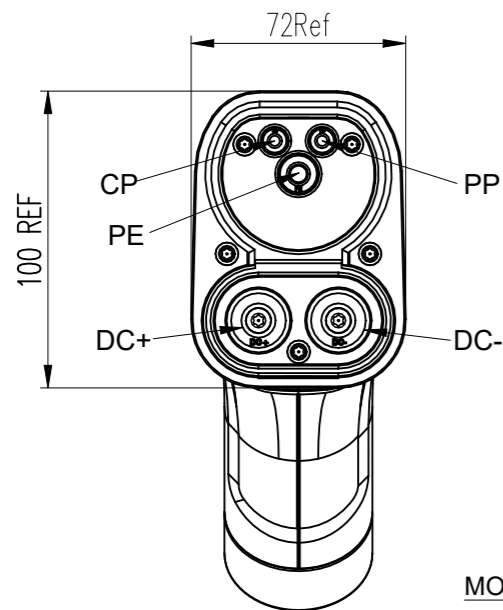


REV	ECN	DESCRIPTION	DATE	MODIFIED
1		RELEASE	Nov-27-2024	Max

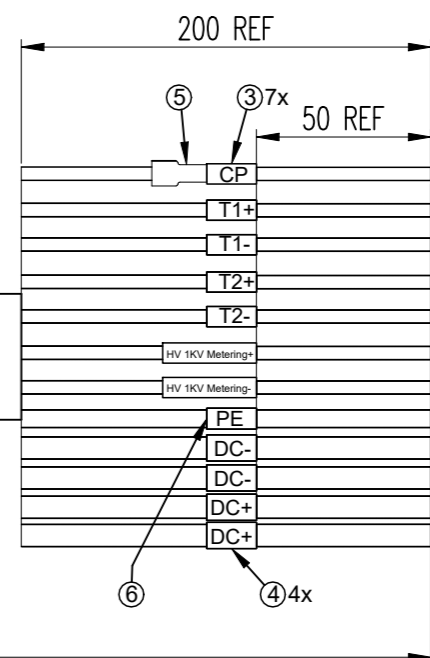
Amphenol PCDSZ
ORIGINAL
PDF Format
R&D



TN: XXXXXXXX YYWW
XXXXXXX: Work order number + batch number
YYWW: Year / Week
LXXXX: XXXX = Cable length



QR code Content including:
Part number#Work order number
#Serial number ex:0001
(ex:HVCO2N411LXXXX#XXXXXX#XXXX)



MODE OF CONNECTION:

Label	Wire Description	Label
DC+	2 x 50mm ² (Red)	DC+
	0.75mm ² (Brown)	HV 1KV Metering+
DC+ Thermistor PT1000	0.75mm ² (White)	T1+
	0.75mm ² (Violet)	T1-
DC-	2 x 50mm ² (Black)	DC-
	0.75mm ² (Blue)	HV 1KV Metering-
DC- Thermistor PT1000	0.75mm ² (Orange)	T2+
	0.75mm ² (White&Black)	T2-
PE	6mm ² (Yellow&Green)*	PE
PP	No cable	PP
CP	0.75mm ² (Gray)	CP

安费诺精密连接器(深圳)有限公司
Amphenol PCD Shenzhen
受控文件
2024年11月28日

- *Notes:
- Cable assembly data:
Storage Temperature: -40°C to +80°C
Ambient Temperature: -40°C to +45°C
(+55°C max, Current reduction required, when the working temperature is beyond 90°C)
 ✦ Rated Voltage: 1000V DC(DC+, DC-), 30V DC (CP,PP);
 ✦ Rated Current: CP, PP: 2A Max; DC+, DC-: 380A
 ✦ Insulation Resistance: DC 1000V 100MΩ Min (DC+, DC-, PE)
 DC 500V 100MΩ Min (CP, Thermistor wires);
 ✦ Withstand Voltage: 3000V AC (DC+, DC-, PE);
 500V AC (CP, Thermistor wires);
 ✦ IP-Class: IP55(mated); IP67 (enclosure / initial)
 ◎Durability: 20000 cycles (Replaceable)
 ✦ RoHS Compliance
 - Connector Reference: C-HVCO2NX11
 - Reference For, IEC 62196-3; EN17186
 - Cable Minimum Bending Radius: ≥ 10 OD
 - For HV 1KV Metering wires:Please protect with insulated material at the tail if don't use both wires
 - *Ground wire is suitable for isolated DC EV supply equipment as reference earth or function earth.

LENGTH	TOLERANCE
1~1000mm	±50
1001~5000mm	±100
>5000mm	±200

ITEM	P/N	DESCRIPTION	QTY	UNIT
⑥	P05B000006	SINGLE-WALL H.S.T: Ø6 WHITE	0.02	m
⑤	C210006341	DOUBLE-WALL H.S.T: Ø6.0 BLACK	0.03	m
④	C210021010	SINGLE-WALL H.S.T: Ø14 WHITE	0.08	m
③	C210006837	SINGLE-WALL H.S.T: Ø3.2 WHITE	0.15	m
②	Cable	4x50mm ² +6mm ² +8x0.75mm ² OD=35.5±1	AR	m
①	HVCO2N411	CCS2 380A PLUG-REPLACEABLE	1	EA

DIMENSIONS	TOLERANCES	PROJECTION	Amphenol PCD Shenzhen		TITLE	
ANSI Y14.5M	.X ± 0.50		ENGR Max.Ma Nov-27-2024		GEN3 CCS2 CONNECTOR 380A 1000V F/R 4X50MM ² WITH METERING CABLE ASSEMBLY	
UNITS: MM	.XX ± 0.05		CHKD <i>Ben</i>		SIZE A3	DWG NO. C-HVCO2N411LXXXX
CAD FILE	ANGLES ± 2'		APPD <i>Ben</i>		REV 1	SCALE 1:1 SHEET 1 OF 1
ORIGINAL	THIS DOCUMENT CONTAINS PROPRIETARY INFORMATION WHICH IS THE CONFIDENTIAL PROPERTY OF Amphenol PCD Shenzhen Co. Ltd Amphenol PCD Shenzhen Co. Ltd RESERVES THE RIGHT TO CLARIFY THIS DRAWING					

C-HVCO2N411LXXXX

C-HVCO2N411LXXXX