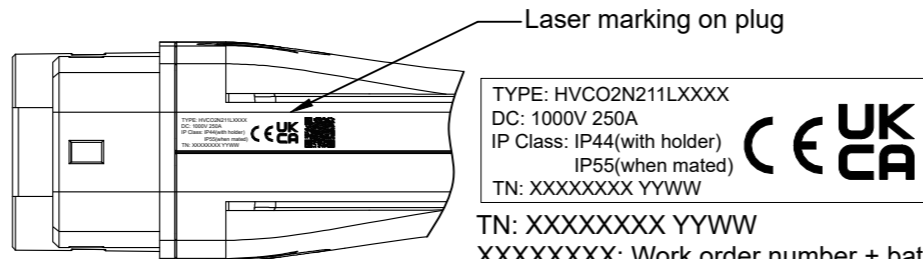


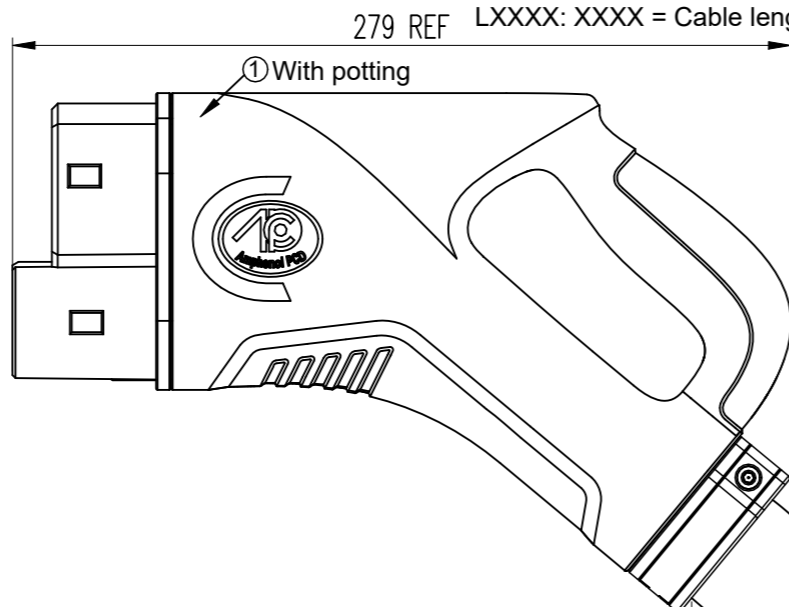
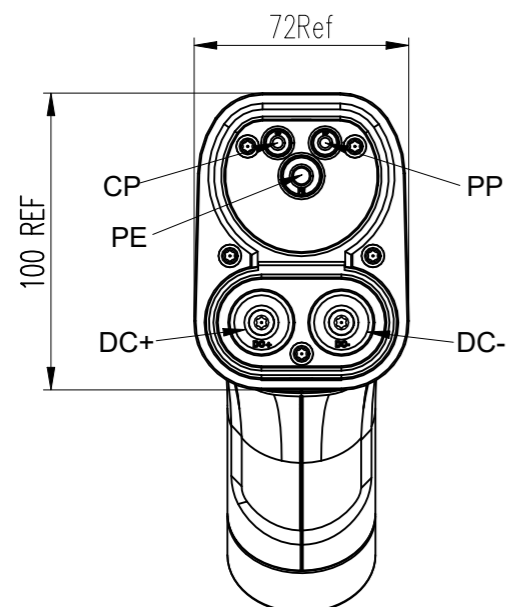
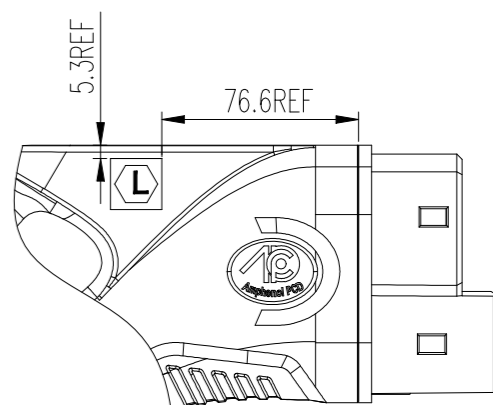
REV	ECN	DESCRIPTION	DATE	MODIFIED
1		RELEASE	Nov-27-2024	Max

Amphenol PCD SZ
ORIGINAL
PDF Format
R&D

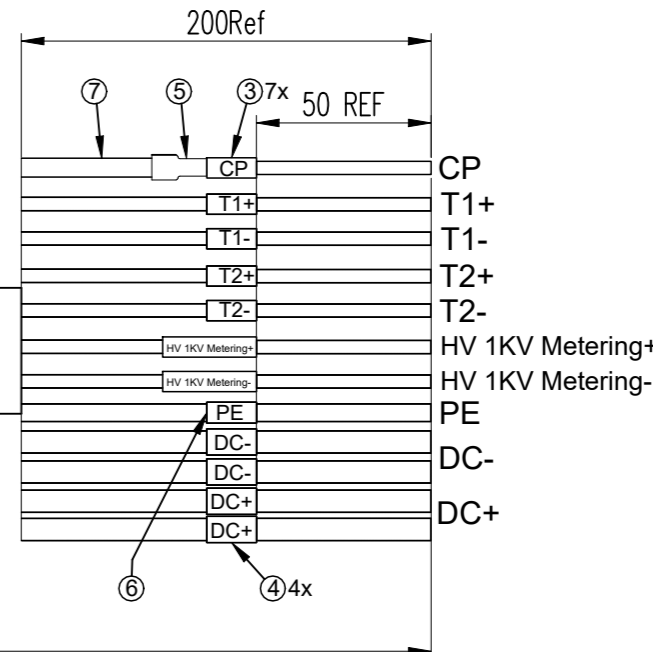


TYPE: HVCO2N211LXXXX
DC: 1000V 250A
IP Class: IP44(with holder)
IP55(when mated)
TN: XXXXXXXX YYWW

TN: XXXXXXXX YYWW
XXXXXXX: Work order number + batch number
YYWW: Year / Week
LXXXX: XXXX = Cable length



10 REF
10 REF
QR code Content including:
Part number#Work order number
#Serial number ex:0001
(ex:HVCO2N211LXXXX#XXXXXX#XXXX)



MODE OF CONNECTION:

Label	Wire Description
DC+	2 x 35mm ² (Red)
HV 1KV Metering+	0.75mm ² (Red)
T1+	0.75mm ² (White)
T1-	0.75mm ² (Violet)
DC-	2 x 35mm ² (Black)
HV 1KV Metering-	0.75mm ² (White&Black)
T2+	0.75mm ² (Orange)
T2-	0.75mm ² (Green)
PE	6mm ² (Yellow&Green)*
PP	No cable
CP	0.75mm ² (Gray)

安费诺精密连接器(深圳)有限公司
Amphenol PCD Shenzhen
受控文件
2024年11月28日

- *Notes:
- Cable assembly data:
Storage Temperature : -40°C to +80°C
Ambient Temperature: -40°C to +50°C, (+55°C max,
Current reduction required, when the working temperature is beyond 90°C)
 - Rated Voltage: 1000V DC (DC+, DC-) 30V DC(CP, PP);
 - Rated Current: CP, PP: 2A Max; DC+, DC-: 250A
 - Insulation Resistance: DC 1000V 100MΩ Min (DC+, DC-, PE)
DC 500V 100MΩ Min (CP, Thermistor wires);
 - Withstand Voltage: 3000V AC (DC+, DC-, PE);
500V AC (CP, Thermistor wires);
 - IP-Class: IP55(mated); IP67(enclosure / initial)
 - Durability: 20000 cycles (Replaceable)
 - RoHS Compliance
 - Connector Reference: C-HVCO2NX11
 - Reference For, IEC 62196-3; EN17186
 - Cable Minimum Bending Radius: ≥ 10 OD
 - For HV 1KV Metering wires:Please protect with insulated material at the tail if don't use both wires
 - *Ground wire is suitable for isolated DC EV supply equipment as reference earth or function earth.

LENGTH	TOLERANCE
1~1000mm	±50
1001~5000mm	±100
>5000mm	±200

ITEM	P/N	DESCRIPTION	QTY	UNIT
⑦	C21000080	SINGLE-WALL H.S.T: Ø5 BLACK	0.15	m
⑥	P05B000006	SINGLE-WALL H.S.T: Ø6 WHITE	0.02	m
⑤	C210006341	DOUBLE-WALL H.S.T: Ø6.0 BLACK	0.03	m
④	C210006511	SINGLE-WALL H.S.T: Ø12.7 WHITE	0.08	m
③	C210006837	SINGLE-WALL H.S.T: Ø3.2 WHITE	0.15	m
②	Cable	4x35mm ² +6mm ² +8x0.75mm ² OD=31.5±1	AR	m
①	HVCO2N211	CCS2 250A PLUG-REPLACEABLE	1	EA

DIMENSIONS	TOLERANCES	PROJECTION	TITLE	
ANSI Y14.5M UNITS: MM CAD FILE	.X ± 0.50 .XX ± 0.05 ANGLES ± 2°		Amphenol PCD Shenzhen	
ORIGINAL	THIS DOCUMENT CONTAINS PROPRIETARY INFORMATION WHICH IS THE CONFIDENTIAL PROPERTY OF Amphenol PCD Shenzhen Co. Ltd Amphenol PCD Shenzhen Co. Ltd RESERVES THE RIGHT TO CLARIFY THIS DRAWING		ENGR Max.Ma Nov-27-2024	GEN3 CCS2 CONNECTOR 250A 1000V F/R 4X35MM ² WITH METERING CABLE ASSEMBLY
			CHKD 	SIZE A3
			APPD 	DWG NO. C-HVCO2N211LXXXX
				REV 1
			SCALE 1:1	SHEET 1 OF 1

C-HVCO2N211LXXXX

C-HVCO2N211LXXXX