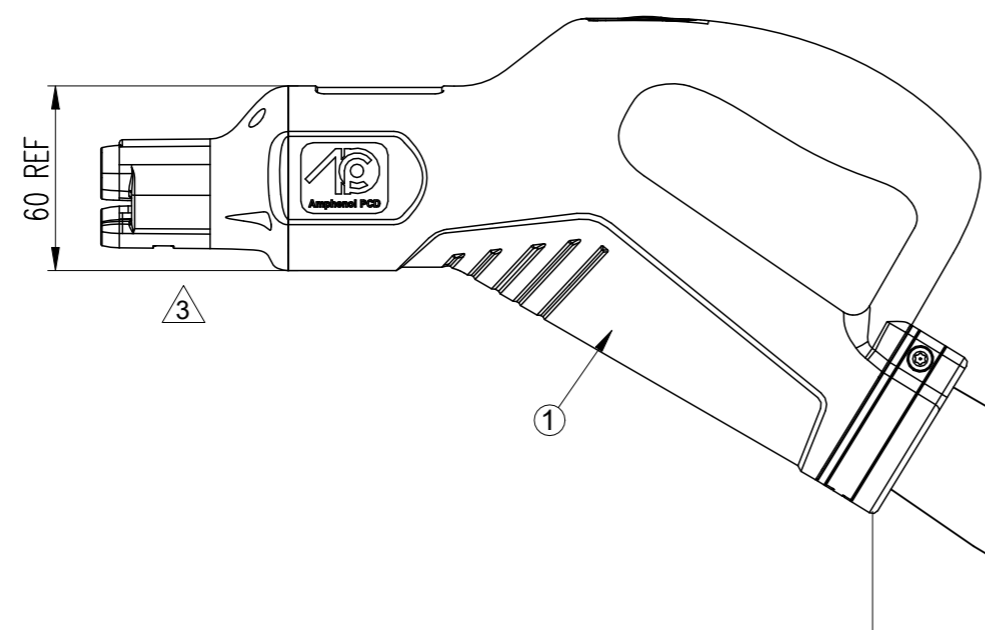
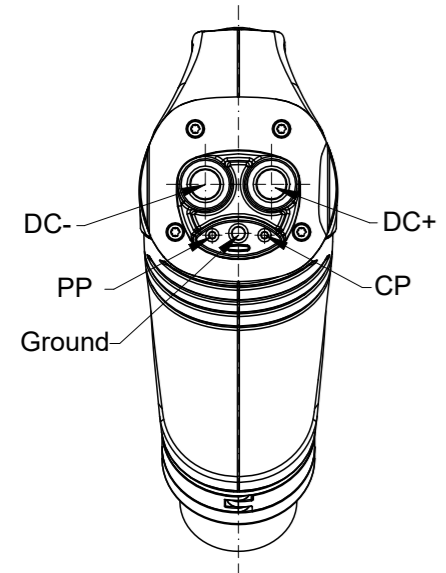


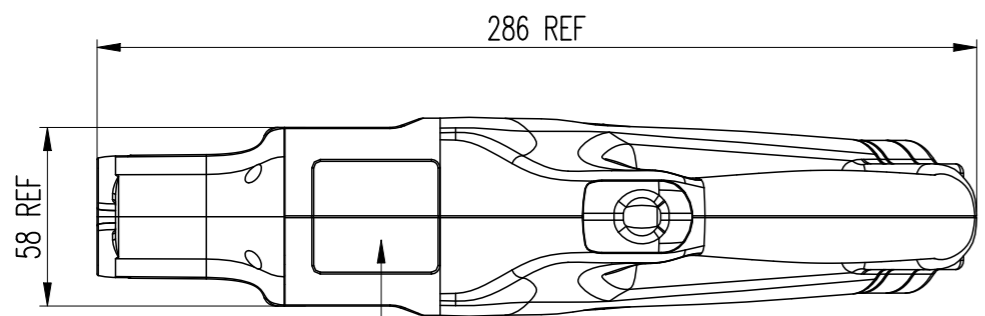
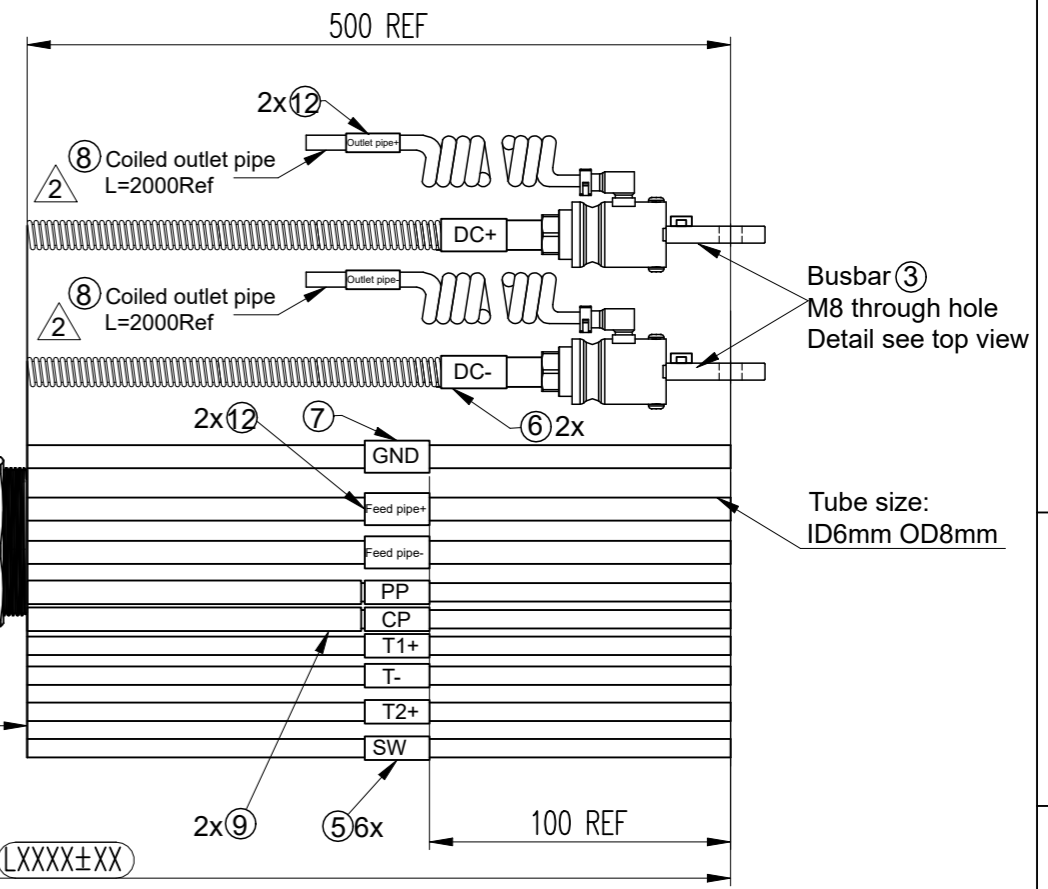
REV	ECN	DESCRIPTION	DATE	MODIFIED
1		RELEASE	Jul-10-2025	
2		Changed to DI-water+glycol version Updated laser marking	Aug-30-2025	
3	R09588	PLUG STRUCTURE CHANGED	Oct-28-2025	

Amphenol PCD SZ
ORIGINAL
PDF Format
R&D



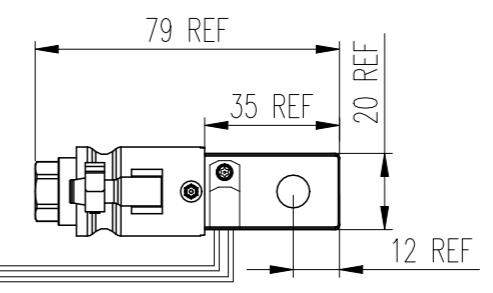
Cable gland M50X1.5-6g
NUT Torque:15~20 N.m

Screw Torque:3-4 kgf.cm



Total Length	Tolerance
0~1000mm	±50
1001~5000mm	±100
>5000mm	±200

Top view for busbar



TYPE: HVCON4MB600APLXXXX
T/N: XXXXXXXX YYWW
Rated: 600A, 1000Vdc
A&T: -40°C to +50°C

CAUTION: Not for current interrupting.
CAUTION: Do not use if there is any damage to the EV cable or the connector
IP-Class: Type 3S XX

Laser marking on plug

CN:Made in China
MX:Made in Mexico

T/N:XXXXXXXX YYWW
Work order number + batch number+year+Week
Font: Arial

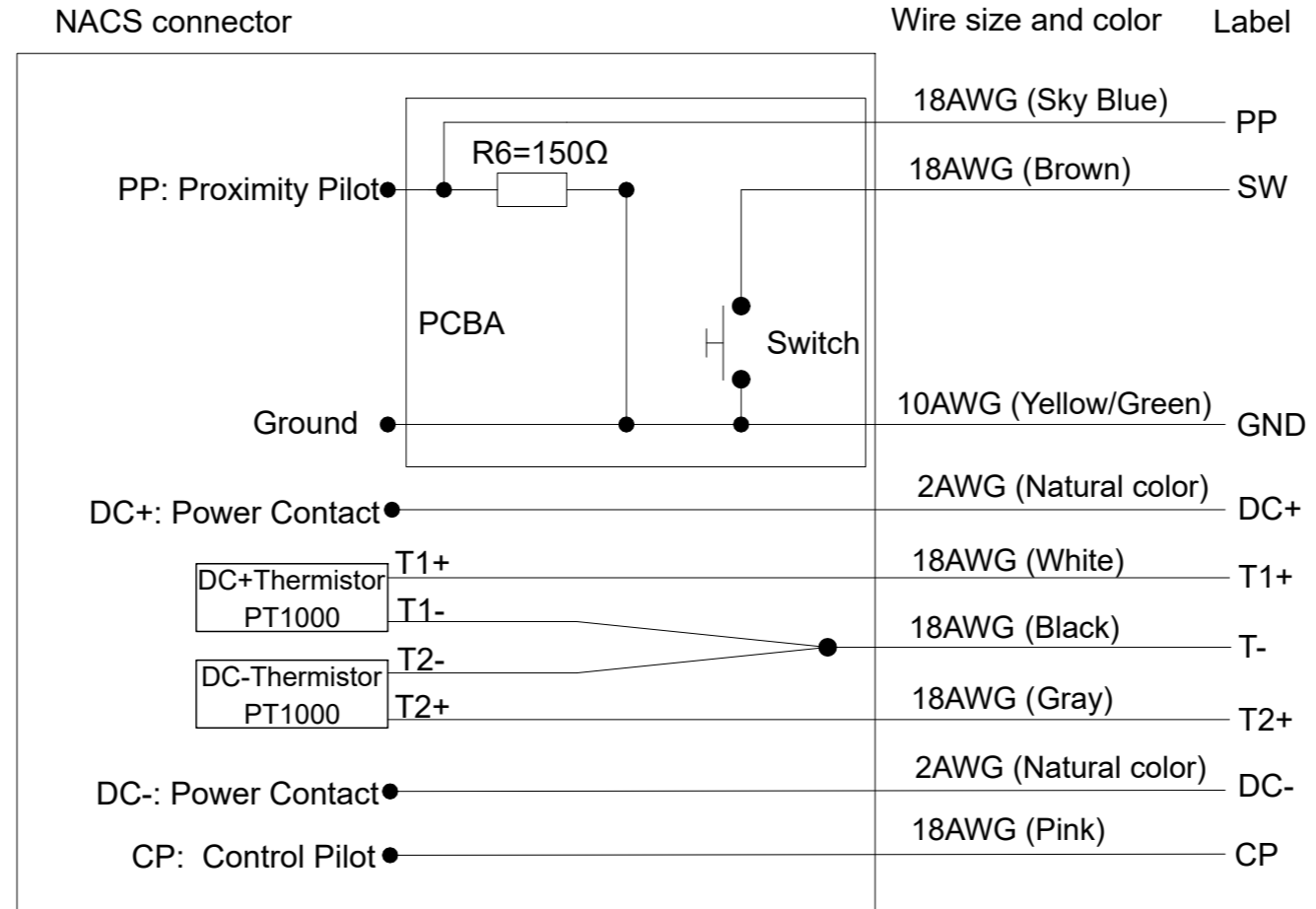
QR code Content including:
Part number
#Work order number
#Serial number ex:0001
(ex:HVCON4MB600APLXXXX#XXXXXX#XXXX)

DIMENSIONS	TOLERANCES	PROJECTION	TITLE		
ANSI Y14.5M UNITS: MM CAD FILE	.X ± 0.50 .XX ± 0.05 ANGLES ± 2°		GEN3 NACS CONNECTOR LCC 600A 1000V WITHOUT UHF F/R 2X2AWG CABLE ASSEMBLY		
ORIGINAL	THIS DOCUMENT CONTAINS PROPRIETARY INFORMATION WHICH IS THE CONFIDENTIAL PROPERTY OF Amphenol PCD Shenzhen Co. Ltd Amphenol PCD Shenzhen Co. Ltd RESERVES THE RIGHT TO CLARIFY THIS DRAWING	CHKD	SIZE	DWG NO.	REV
		APPD	A3	C-HVCON4MB600APLXXXX	3
			SCALE	SHEET	
			1 : 2	1 OF 2	

C-HVCON4MB600APLXXXX

C-HVCON4MB600APLXXXX

DC Mode of Connection Without UHF



*Notes:

- Cable assembly data:
 - ✦ Rated Voltage: 1000V DC (DC+ & DC-), 30V DC (CP & PP);
 - ✦ Rated Current: 600A Max with coolant, 150A Max without coolant (DC+ & DC-) @ the max permissible temperature is 90°C
2A Max (CP & PP);
 - ✦ Insulation Resistance: 100MΩ Min, 1000V DC(DC+, DC-, PE)
100MΩ Min, 500V DC(CP, PP, Thermistor wire)
 - ✦ Withstand Voltage: 4200V / DC (DC+, DC-, PE);
700V / DC (CP, PP, Thermistor wire);

The insulation resistance and withstand voltage test cannot be performed between the wires on the PCB board; For Withstand Voltage test need to use with Direct current;

 - ✦ IP-Class: IP67 (enclosure); Type 3S (Plugged in)
 - ✦ RoHS Compliance
- ② Ambient Temperature: -40°C to +50°C (+55°C max, Current reduction required, when the working temperature is beyond 90°C)
3. NACS Plug reference: C-HVCONXMXXXAXL0000X
4. Cable Minimum Bending Radius: $\geq 8XOD$ (Static applications); $\geq 10XOD$ (Dynamic applications)
5. Durability: $\geq 20,000$ cycles (Replaceable)
6. Working Pressure: 0~7bar;
Cooling Medium: DI-water+glycol or Dielectric coolant $\triangle 2$
7. Weight of Cable Without Coolant: app 1.40kg/m
8. Thermistor: PT1000, Qty: 4
9. Standard: J3400 complaint

⑫	C210021008	SINGLE-WALL H.S.T: Ø8.0 WHITE	0.08	m
⑪	P01BN01166	SCREW TO INSTALL PT1000 SENSOR M4XL8	2	EA
⑩	P01BN01469	PT1000 SENSOR WITH 1500mm WIRE	2	EA
⑨	C210000080	SINGLE-WALL H.S.T: Ø5.0 BLACK	0.80	m
⑧	P01BN03154	OUTLET PIPE,PTFE, COILED L=2000Ref	2.0	EA
⑦	C210000081	SINGLE-WALL H.S.T: Ø5.0 WHITE	0.03	m
⑥	C210021010	SINGLE-WALL H.S.T: Ø14 WHITE	0.06	m
⑤	P05B000029	SINGLE-WALL H.S.T: Ø3.0 WHITE	0.12	m
④	P02B000699	CABLE GLAND	1	EA
③	P02B00099201	TERMINAL ASSEMBLY OF DC WIRE,M8	2	EA
②	CABLE	2x2AWG+TUBES+10AWG+8x18AWG Black OD=34±1	AR	m
①	HVCON4MB600A	NACS 600A COOLING VEHICLE CONNECTOR 2PT1000	1	EA
ITEM	P/N	DESCRIPTION	QTY	UNIT

SIZE	DWG NO.	REV
A3	C-HVCON4MB600APLXXXX	3
SCALE	NA	SHEET 2 OF 2

C-HVCON4MB600APLXXXX

C-HVCON4MB600APLXXXX