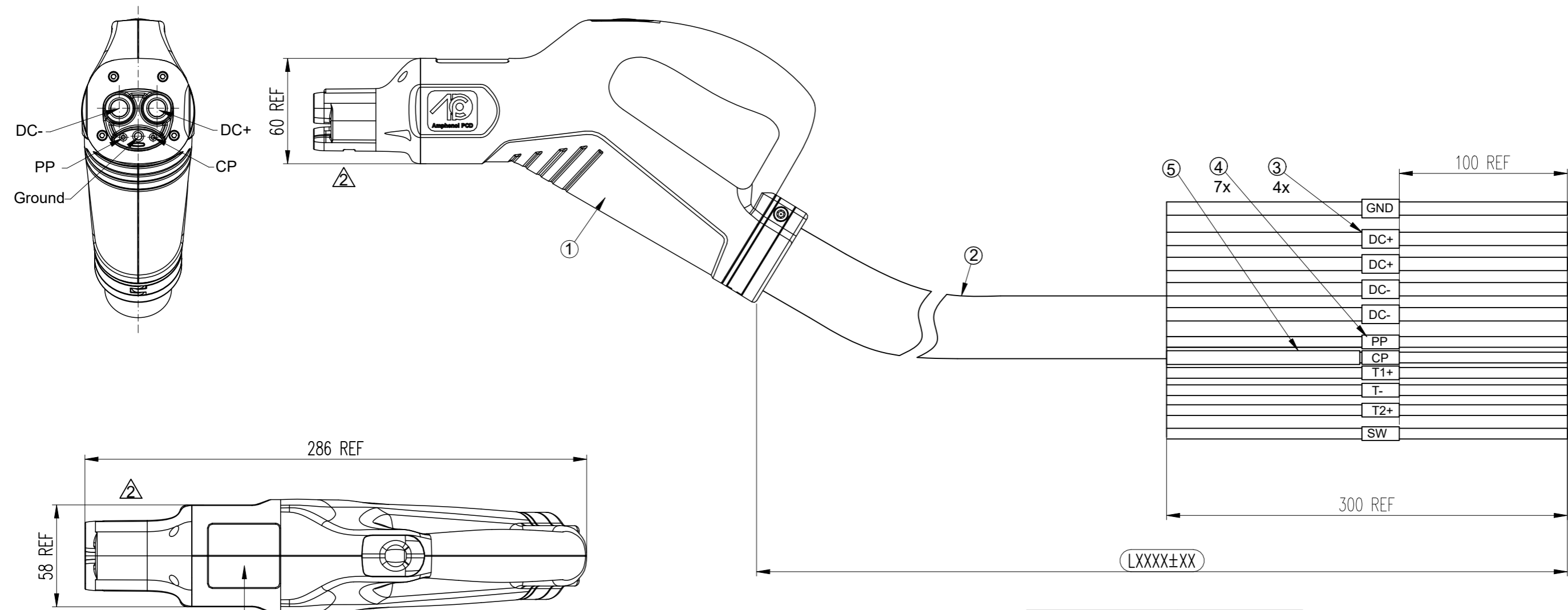


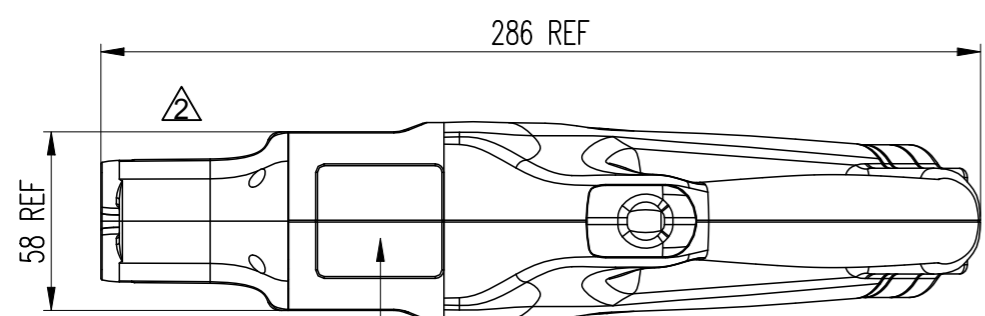
REV	ECN	DESCRIPTION	DATE	MODIFIED
1		RELEASE	Aug-26-2025	
2	R09588	PLUG STRUCTURE CHANGED	Oct-28-2025	

Amphenol PCD SZ
ORIGINAL
PDF Format
R&D



C-HVCON3MB360APLXXXX

C-HVCON3MB360APLXXXX



Laser marking on plug

TYPE: HVCON3MB360APLXXXX
T/N: XXXXXXXX YYWW
Rated: 360A, 1000Vdc
A&T: -40°C to +50°C

CAUTION: Not for current interrupting.
CAUTION: Do not use if there is any damage to the EV cable or the connector
IP-Class: Type 3S XX

CN:Made in China
MX:Made in Mexico

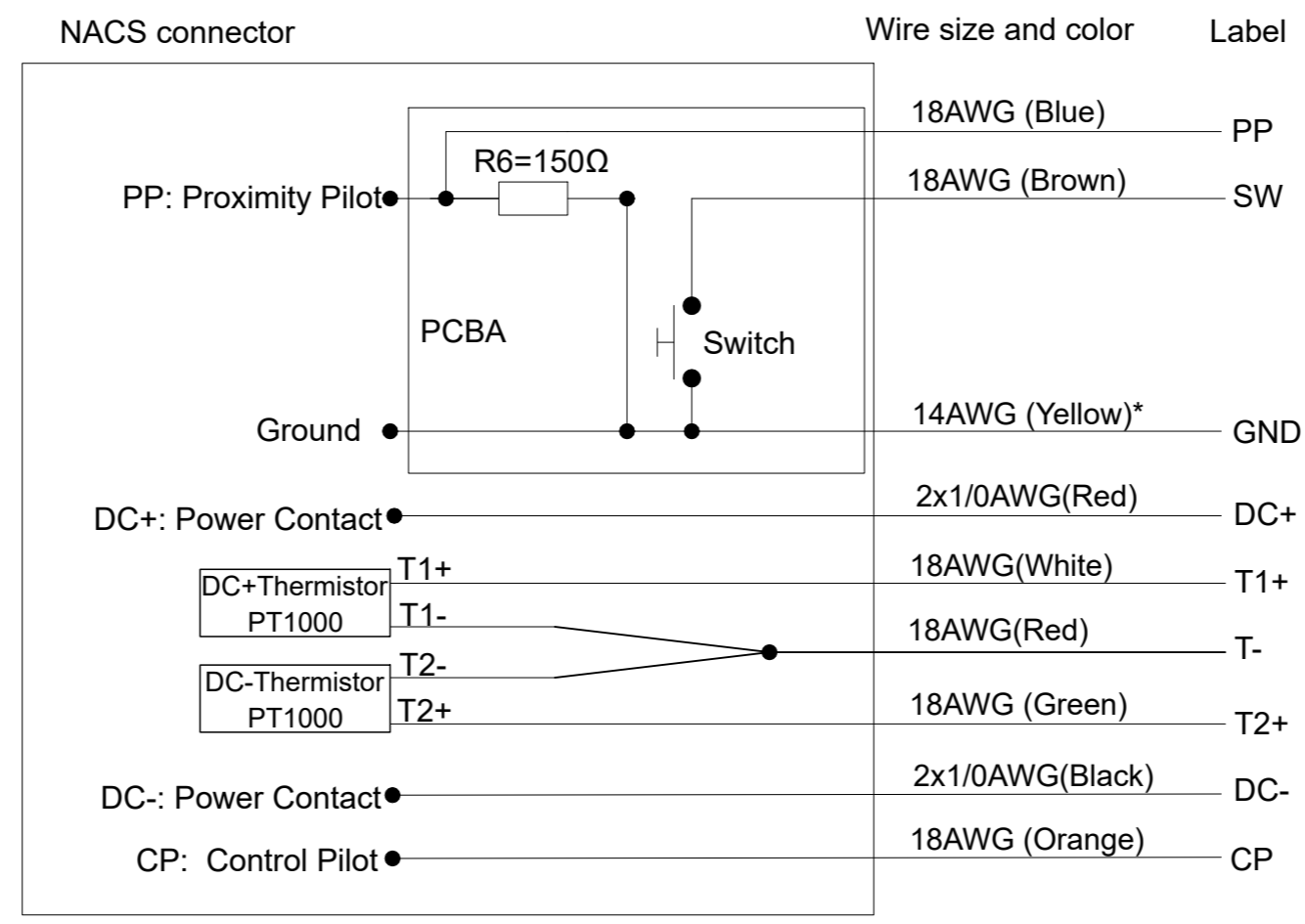
T/N:XXXXXXXX YYWW
Work order number + batch number+year+Week
Font: Arial

8 REF
QR code Content including:
Part number
#Work order number
#Serial number ex:0001
(ex:HVCON3MB360APLXXXX#XXXXXX#XXXX)

Total Length	Tolerance
0~1000mm	±50
1001~5000mm	±100
>5000mm	±200

DIMENSIONS	TOLERANCES	PROJECTION	TITLE		
ANSI Y14.5M UNITS: MM CAD FILE	.X ± 0.50 .XX ± 0.05 ANGLES ± 2°		Amphenol PCD Shenzhen		
ORIGINAL	THIS DOCUMENT CONTAINS PROPRIETARY INFORMATION WHICH IS THE CONFIDENTIAL PROPERTY OF Amphenol PCD Shenzhen Co. Ltd Amphenol PCD Shenzhen Co. Ltd RESERVES THE RIGHT TO CLARIFY THIS DRAWING	ENGR	GEN3 NACS CONNECTOR 360A 1000V WITHOUT UHF F/R 4X1/0AWG CABLE ASSEMBLY		
		CHKD APPD	SIZE A3	DWG NO. C-HVCON3MB360APLXXXX	REV 2
			SCALE 1 :2	SHEET 1 OF 2	

DC Mode of Connection
WITHOUT UHF



*Notes:

- Cable assembly data:
 - ✦ Rated Voltage: 1000V DC (DC+, DC-), 30V DC(CP, PP);
 - ✦ Rated Current: 360A Max (DC+, DC-) @ the max permissible temperature is 90°C
2A Max (CP, PP);
 - ✦ Insulation Resistance: 100MΩ Min, 1000V DC(DC+, DC-, GND)
100MΩ Min, 500V DC(CP, PP, Thermistor wire)
 - ✦ Withstand Voltage: 4200V / DC (DC+, DC-, GND);
700V / DC (CP, PP, Thermistor wire);

The insulation resistance and withstand voltage test cannot be performed between the wires on the PCB board; For Withstand Voltage test need to use with Direct current;

 - ✦ IP-Class: IP67 (enclosure); Type 3S (Plugged in)
 - ✦ RoHS Compliance
- Ambient Temperature: -40°C to +50°C (+55°C max, Current reduction required, when the working temperature is beyond 90°C)
 - NACS Plug reference: C-HVCONXMXXXAXL0000X
 - Cable Minimum Bending Radius: 5xOD (Static applications); 10xOD (Dynamic applications)
 - ◎ Durability: ≥ 20,000 cycles (Replaceable)
 - Weight of Cable: app 2.67kg/m
 - Standard: UL2251, SAE J3400 complaint
- *Ground wire is suitable for isolated DC EV supply equipment as reference earth or function earth.

⑤	C210000080	SINGLE-WALL H.S.T: Ø5.0 BLACK	0.20	m
④	P05B000029	SINGLE-WALL H.S.T: Ø3.0 WHITE	0.14	m
③	C210006511	SINGLE-WALL H.S.T: Ø12.7 WHITE	0.08	m
②	CABLE	4X1/0AWG+14AWG+6X18AWG BLACK OD36.5	AR	m
①	HVCON3MB360APL0000	NACS 360A PLUG BLACK NO UHF- REPLACEABLE	1	EA
ITEM	P/N	DESCRIPTION	QTY	UNIT
		SIZE	DWG NO.	
		A3	C-HVCON3MB360APLXXXX	
		SCALE	NA	SHEET 2 OF 2
				REV 2

C-HVCON3MB360APLXXXX

C-HVCON3MB360APLXXXX