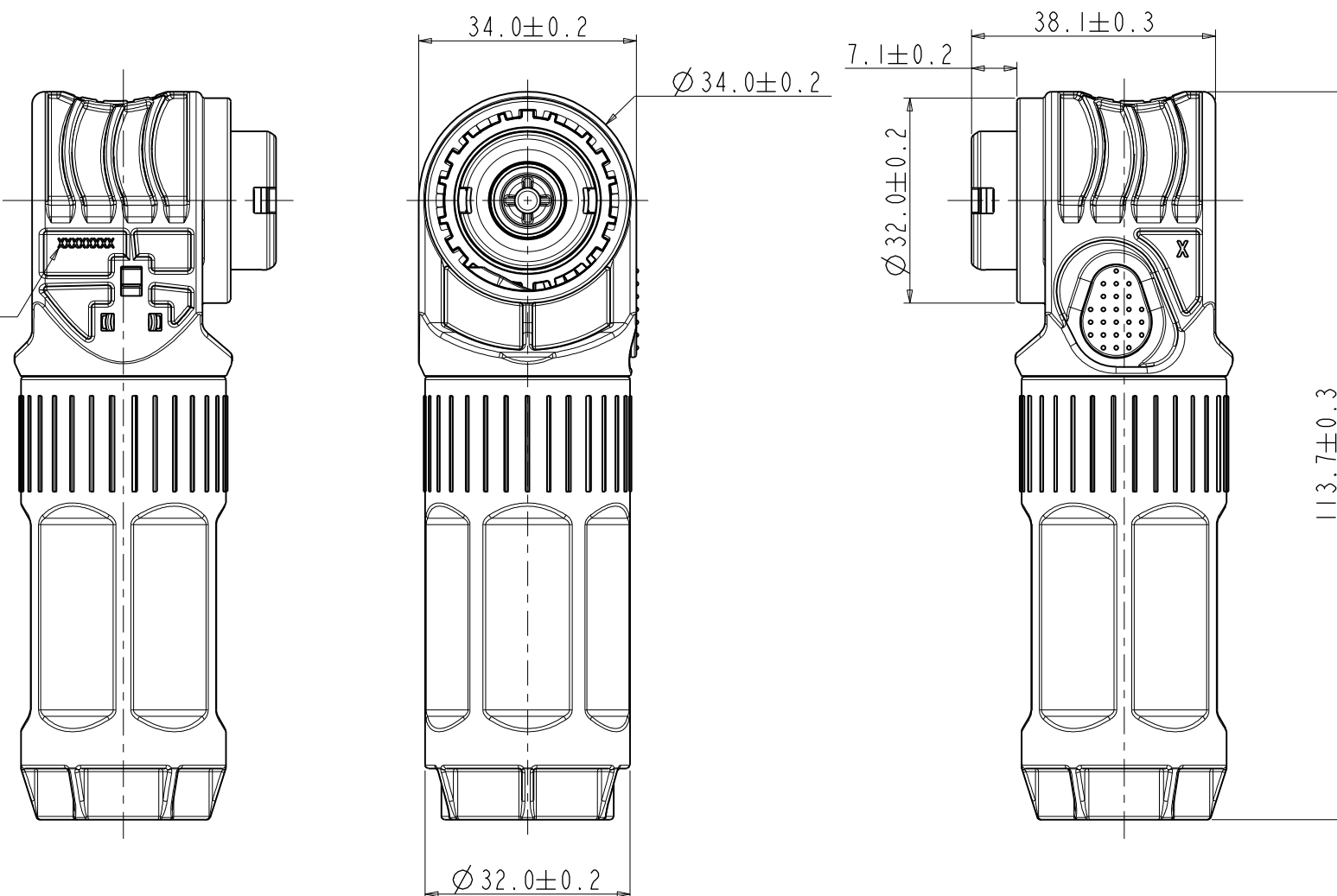


Amphenol PCDSZ
ORIGINAL
PDF Format
R&D

REV	ECN	DESCRIPTION	DATE	MODIFIED
1		PRE-RELEASE	Jul-16-2024	

PRODUCT TRACEABILITY CODE



安费诺精密连接器(深圳)有限公司
Amphenol PCD Shenzhen
受控文件
2024年8月8日

3. TECHNICAL DATA TABLE

TECHNICAL DATA		
CURRENT RATE (120MM ² UNSHIELD CABLE)	400A @ AMBIENT 70°C	+
CURRENT RATE (MEETS UL4128) (120MM ² UNSHIELD CABLE)	360A @ AMBIENT 70°C	+
CURRENT RATE (95MM ² UNSHIELD CABLE)	300A @ AMBIENT 70°C	+
RATING VOLTAGE (OVERVOLTAGE CATEGORY II POLLUTION DEGREE 2)	1500V DC	
OPERATING TEMPERATURE	-40~125°C	
DIELECTRIC WITHSTANDING VOLTAGE	4000V AC(RMS)	+
INSULATION RESISTANCE	200MΩ MIN. @25	+
DURABILITY	50 CYCLES	◎
WATERPROOF (MATED CONDITION)	IP67, IP6K9K	+
PROTECTION LEVEL (UNMATED)	IP2XB	+
AMBIENT TEMPERATURE	-40~70°C	
RoHS&REACH	YES	+

NOTES:

- 1. MATERIAL & FINISH:
PLASTIC BODY: THERMOPLASTICS
POWER CONTACT: COPPER ALLOY SILVER
SEAL RING: SR

+: CRITICAL CHARACTERISTICS / 关键特性
◎: IMPORTANT CHARACTERISTICS / 重要特性

DIMENSIONS	TOLERANCES	PROJECTION	ENGR
ANSI Y14.5M UNITS: MM Pro/E FILE	X ±0.5 XX ±0.05 ANGLES ±2°		Jul-16-2024
ORIGINAL	THIS DOCUMENT CONTAINS PROPRIETARY INFORMATION WHICH IS THE CONFIDENTIAL PROPERTY OF Amphenol PCD Shenzhen Co. Ltd Amphenol PCD Shenzhen Co. Ltd RESERVES THE RIGHT TO CLARIFY THIS DRAWING		CHKD APPD

TITLE			
HVES 12 08 1 X XX PLUG ASSEMBLY			
SIZE	DWG NO.	REV	
A3	C-HVES12081XXX	1	
SCALE: 1:2		SHEET 1 OF 2	

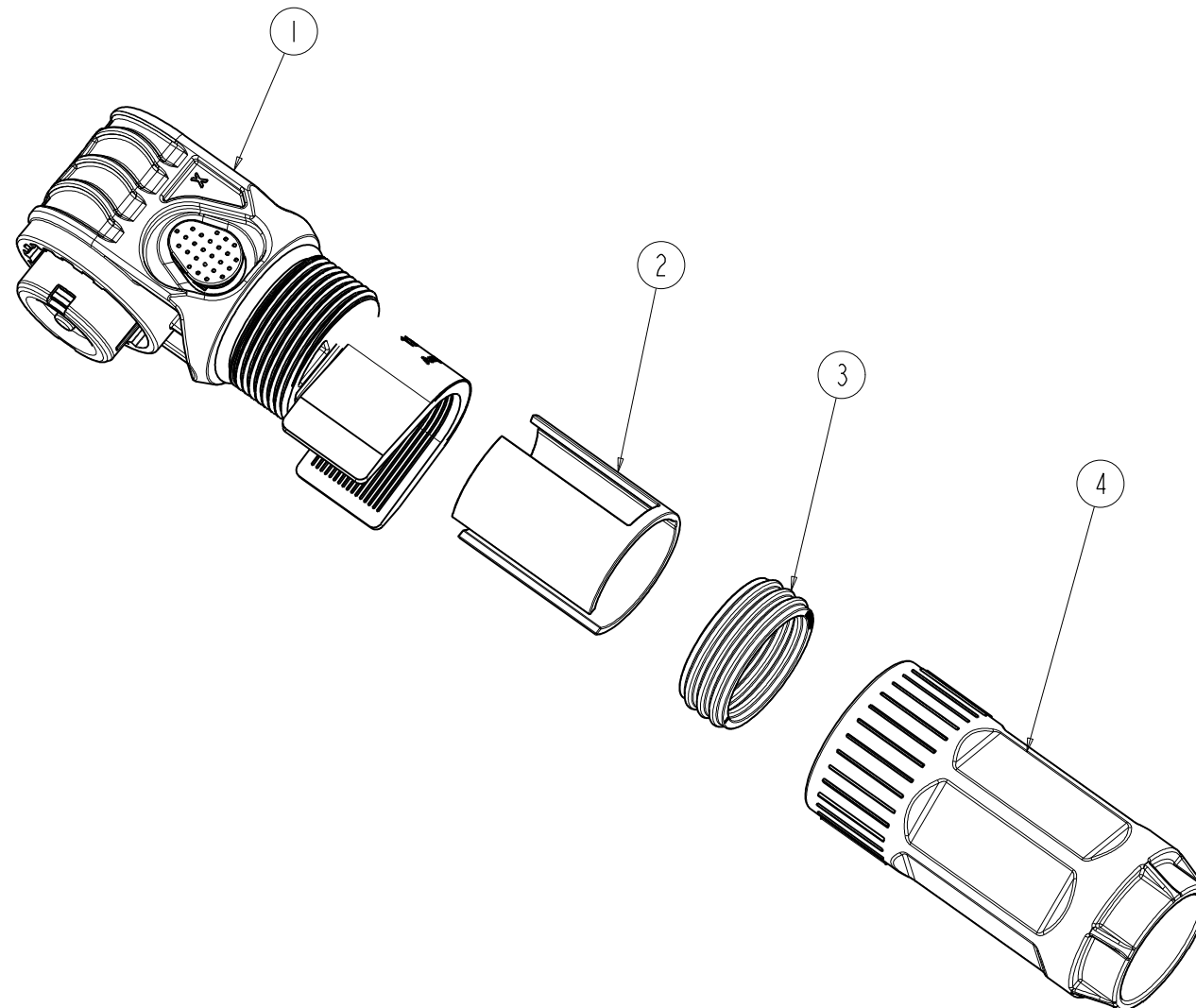
C-HVES12081XXX

C-HVES12081XXX

受控文件

2024年8月8日

4	SEE TABLE 2	PLUG END CAP	1
3	SEE TABLE 2	CABLE SEAL	1
2	P01BP01062	NECK BUSH	1
1	SEE TABLE 1	MAIN BODY	1
ITEM	COMPONENT P/N	DESCRIPTION	Q'TY



HVES 12 08 1 X XX

SERIES CODE

TERMINAL SPECIFICATIONS

R/A PLUG

SINGLE PIN

KEY & COLOR CODE:

CODE	DESCRIPTION	I# MAIN BODY	CABLE SPECIFICATION
A	KEY A, ORANGE	P02B00066101	120MM^2 AND 4/0
B	KEY B, BLACK	P02B00066102	
A	KEY A, ORANGE	P02B00066103	95MM^2
B	KEY B, BLACK	P02B00066104	

CABLE SIZE OPTION:

CODE	DESCRIPTION	3# CABLE SEAL	4# PLUG END CAP
01	120mm ² WIRE OD=22.0±0.5mm	P01BR01053	P01BP0106301(ORANGE)
			P01BP0106302(BLLACK)
02	95mm ² WIRE OD=17.5±0.4mm	P01BR01133	P01BP0106303(ORANGE)
			P01BP0106304(BLLACK)
03	4/0 AWG WIRE OD=18.5±0.5mm	P01BR01134	P01BP0106305(ORANGE)
			P01BP0106306(BLLACK)

C-HVES12081XXX

C-HVES12081XXX

SIZE A3	DWG NO. C-HVES12081XXX	REV 1
SCALE: 1:2		SHEET 2 OF 2