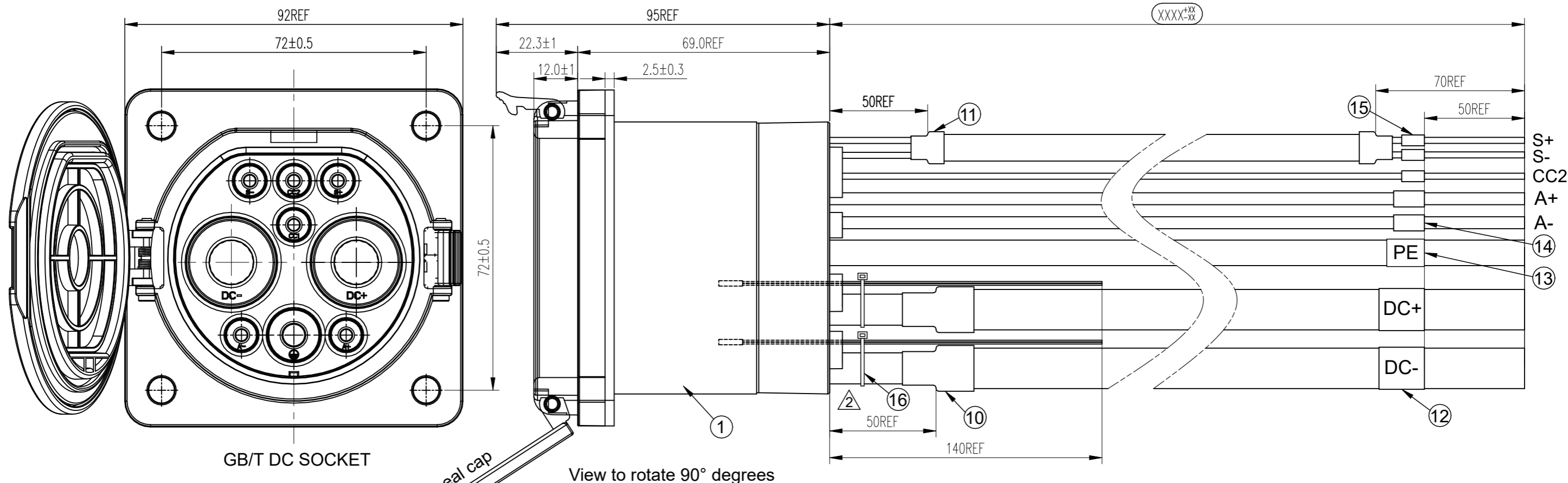


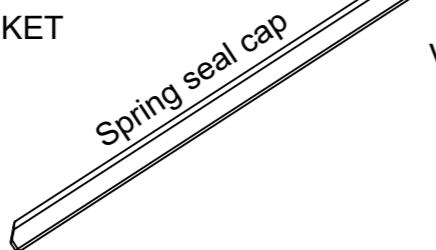
REV	ECN	DESCRIPTION	DATE	MODIFIED
1		PRE-RELEASE	2019.01.23	
2	C7905N	ADD CABLE TIE	Apr-26-2024	

Amphenol PCD SZ
ORIGINAL
PDF Format
R&D



C-HVCOFBTR12SF970RLXXXX

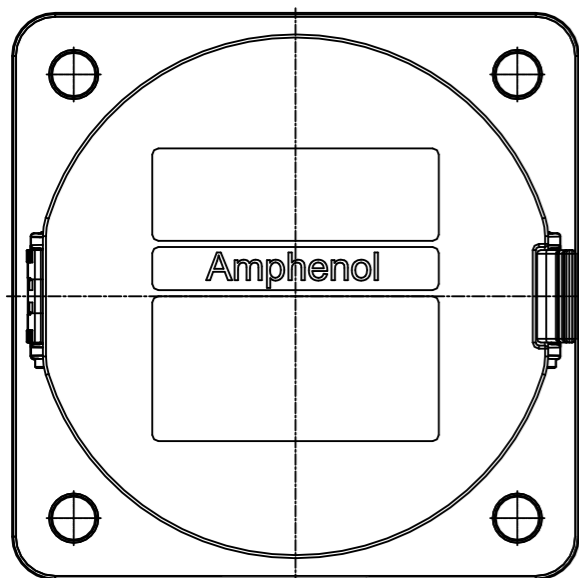
C-HVCOFBTR12SF970RLXXXX



安费诺精密连接器(深圳)有限公司
Amphenol PCD Shenzhen
受控文件
2024年5月6日

HVCOFBTR12SF970RL XXXX

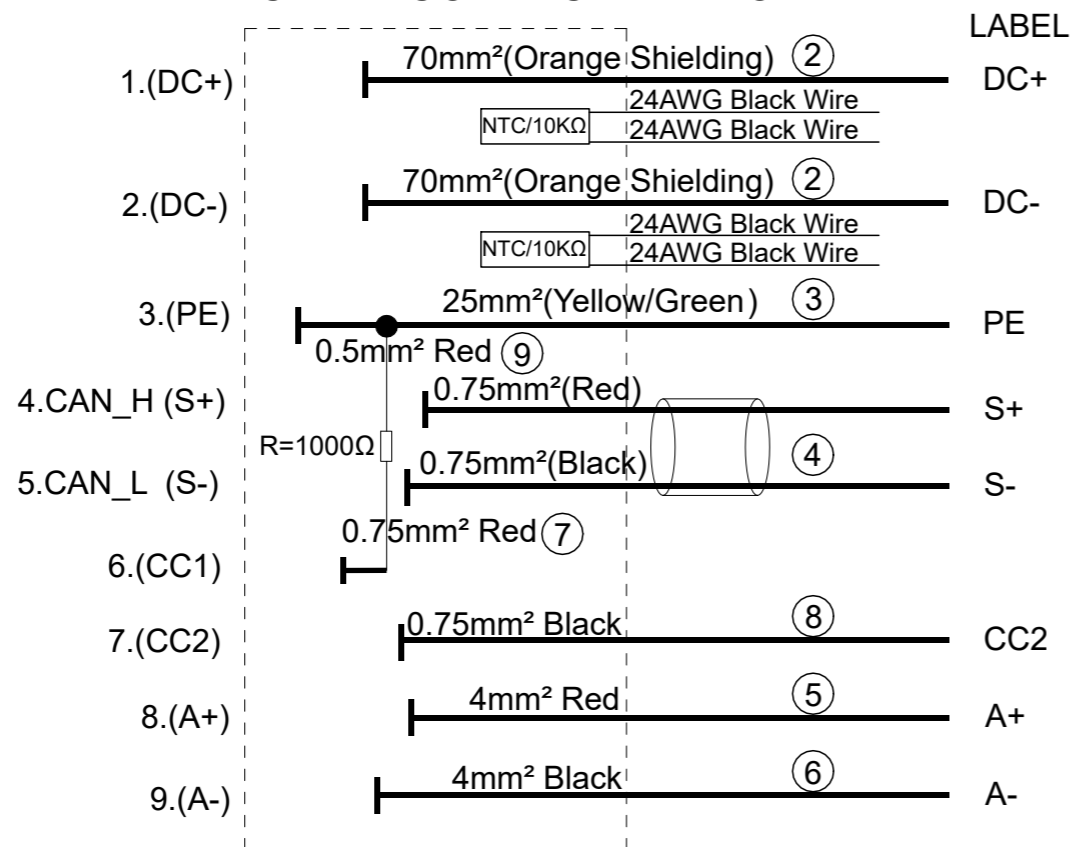
LENGTH	TOLERANCE
0~1000mm	+25 -10
1001~5000mm	+40 -10
>5000mm	+50 -20



CAP CLOSED (Scale 1:1.3)

DIMENSIONS	TOLERANCES	PROJECTION	TITLE			
ANSI Y14.5M UNITS: MM CAD FILE	.X ± 0.5 .XX ± 0.05 ANGLES ± 2.0°		Amphenol PCD Shenzhen			
			ENGR	Apr-26-2024		
ORIGINAL	THIS DOCUMENT CONTAINS PROPRIETARY INFORMATION WHICH IS THE CONFIDENTIAL PROPERTY OF Amphenol PCD Shenzhen Co. Ltd Amphenol PCD Shenzhen Co. Ltd RESERVES THE RIGHT TO CLARIFY THIS DRAWING	CHKD	SIZE	DWG NO.	REV	
		APPD	A3	C-HVCOFBTR12SF970RLXXXX	2	
			SCALE	NA	SHEET 1 OF 2	

CABLE CONNECT METHOD



安费诺精密连接器(深圳)有限公司
Amphenol PCD Shenzhen

受 控 文 件

2024年5月6日

***Notes:**

- 1.Cable assembly data:
 - ✦Rated Voltage/Current:
 - 1.1 DC+: 1000V DC 250A
 - 1.2 DC- : 1000V DC 250A
 - 1.3 PE: 25mm2 Ground
 - 1.4 S+:30V 2A
 - 1.5 S -:30V 2A
 - 1.6 CC1: 30V 2A
 - 1.7 CC2: 30V 2A
 - 1.8 A +: 30V 20A
 - 1.9 A - : 30V 20A
 - Operating Temperature:-30°C ~+50 °C
 - ✦IP-Class: IP54(CAP Closed)
IP55(Mated)
 - ◎Durability: 10000 cycles
 - ✦Insulation Resistance:100MΩ Min/1000V DC for DC+,DC-
100MΩ Min/500V DC for for A+,A-,CC2,S+,S-
 - ✦Withstand Voltage: 3000V r.m.s for DC+, DC-
500V r.m.s for A+,A-,CC2,S+,S-
- 2.GB Inlet Reference: C-HVCOFBTR12SF970RL
- 3.GB Inlet Reference Standard: GB/T 20234.1, GB/T 20234.3
- 4.The cable should be fixed at 100mm max from the rear of connector
- 5.Cable Minimum Bending Radius: ≥5*O
- 6.Add cable ties to fix sensor wires to avoid pulling out

△	⑬	C210003609	CABLE TIE BLACK	2	EA
	⑮	C210006837	SINGLE-WALL H.S.T Ø3.2mm WHITE	0.10	m
	⑭	C210006510	SINGLE-WALL H.S.T Ø6.0mm WHITE	0.06	m
	⑬	C210006511	SINGLE-WALL H.S.T Ø12mm WHITE	0.03	m
	⑫	C210004340	SINGLE-WALL H.S.T Ø20mm WHITE	0.08	m
	⑪	C210006440	DOUBLE-WALL H.S.T Ø8.0mm BLACK	0.06	m
	⑩	C210006501	DOUBLE-WALL H.S.T Ø19mm BLACK	0.16	m
	⑨	C210030046	1C*0.5mm² UNSHIELDING RED,XLPE,OD1.6±0.1	0.10	m
	⑧	C21000645001	1C*0.75mm² UNSHIELDING BLACK,XLPE,D2.4±0.2	AR	m
	⑦	C21000645002	1C*0.75mm² UNSHIELDING RED,XLPE,OD2.4±0.2	AR	m
	⑥	C210005309	1C*4.0mm² UNSHIELDING BLACK,XLPE,OD4.3±0.2	AR	m
	⑤	C210005310	1C*4.0mm² UNSHIELDING RED,XLPE,OD4.3±0.2	AR	m
	④	P01BC00029	2C*0.75mm² SHIELDING ORANGE,XLPE,OD6.7±0.2,ID2.3±0.1	AR	m
	③	C210030044	1C*25mm² UNSHIELDING YELLOW/GREEN,XLPE,OD9.3±0.2	AR	m
	②	P01BC00127	1C*70mm² SHIELDING ORANGE,XLPE,OD19±0.3,ID14.5±0.3	AR	m
	①	HVCOFBTR12SF970RL	GB/T 250A INLET : HVCOFBTR12SF970RL	1	EA
ITEM	P/N	DESCRIPTION		QTY	UNIT

SIZE	DWG NO.	REV
A3	C-HVCOFBTR12SF970RLXXXX	2
SCALE	NA	SHEET 2 OF 2