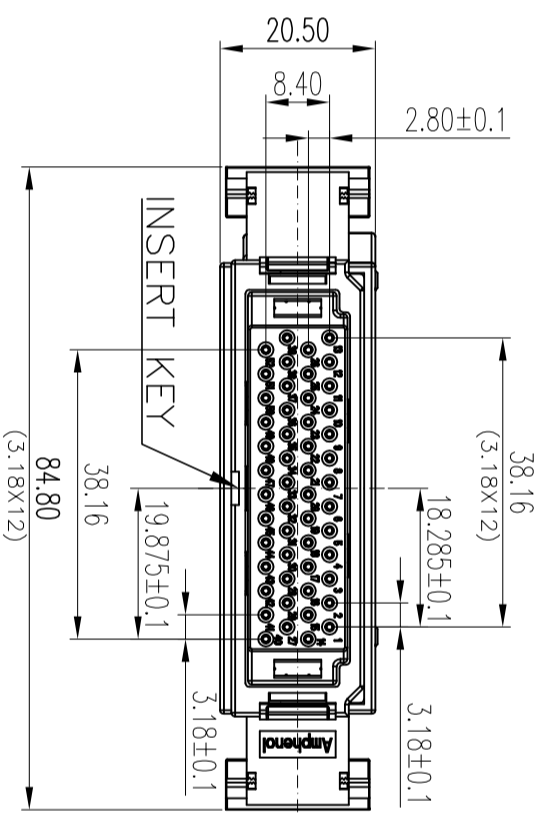
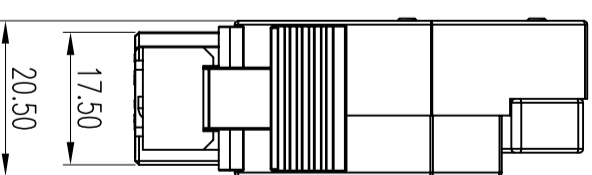
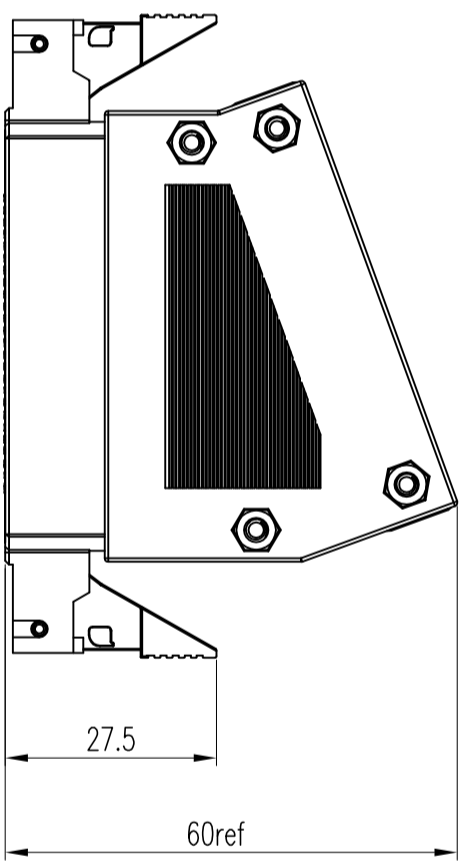
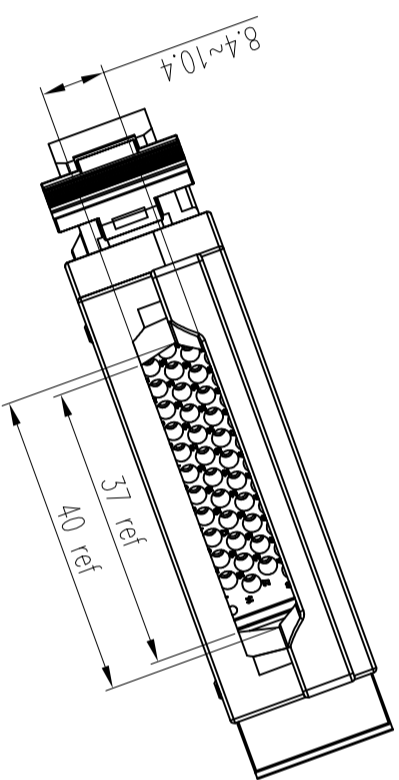


REV	ECN	DESCRIPTION	DATE	MODIFIED
1		PRE-RELEASE	12-Mar-14	Wode Liu



**\*Notes:**

Material \ Finish  
 Shells: Retardant Thermoplastic,Black,UL94-V0  
 外壳: 阻燃塑胶, 黑色, UL94-V0  
 Insert : Thermoplastics,Black,UL94-V0  
 胶芯: 阻燃塑胶, 黑色, UL94-V0  
 Contacts : Socket contacts 52 x #20,Copper alloy,  
 with gold plating,Crimp type.  
 端子: 52 X #20,铜合金, 镀金,压接式

Mechanical / Environment data:  
 Operating Temp:-55°C~+85°C.  
 工作温度: -55°C~+85°C  
 Humidity:95%(Temp 40±2°C)  
 相对湿度: 95% (温度40±2°C时)  
 Mating cycles:500Min.  
 寿命: 大于500次  
 Vibration & Shock:  
 Vibration 振动:经受频率为10~55Hz、振幅 0.75mm全扫描振动;  
 任何接触件无大于1ms的瞬断  
 Shock冲击:冲击强度250m/s<sup>2</sup>, 任何接触件无大于1ms的瞬断  
 Salt spray:48H  
 盐雾: 48H

Electrical data:  
 Withstanding Voltage: AC1500 V rms  
 耐压: AC 1500 V rms  
 Rated Current: 7.5A  
 额定电流: 7.5A  
 Insulation Resistance: 5000MΩ Min(500VDC)  
 绝缘电阻: 大于5000MΩ Min(500VDC)  
 Contact Resistance: Less than 3.0 milliohms  
 接触电阻: 不大于3毫欧

DIMENSIONS	TOLERANCES	PROJECTION	TITLE	
ANSI Y14.5M UNITS: MM CAD FILE	X .XX ANGLES		Amphenol Pcd Shenzhen	ASPRC Plug
	± 0.5 ±0.1 ±0.5°		CHKD	SIZE A3
ORIGINAL NOT FOR CUSTOMER DISTRIBUTION	THIS DOCUMENT CONTAINS PROPRIETARY INFORMATION WHICH IS THE CONFIDENTIAL PROPERTY OF AMPHENOL PCD SHENZHEN		ENGR	DWG NO. ASPRC-52SC-M-LC
			APPD	SCALE 1:1
				SHEET 1 OF 1
				REV 1