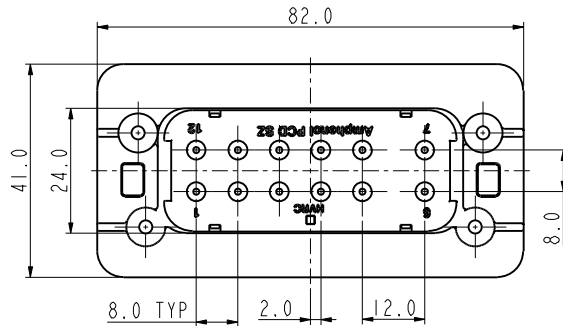
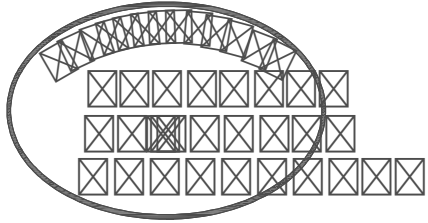
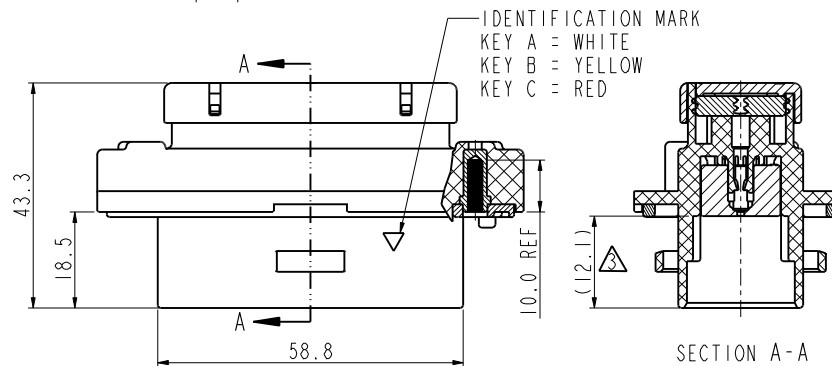
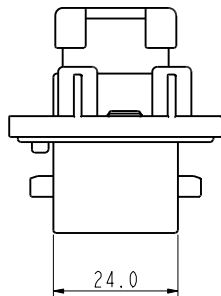
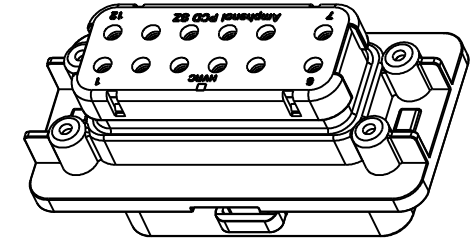


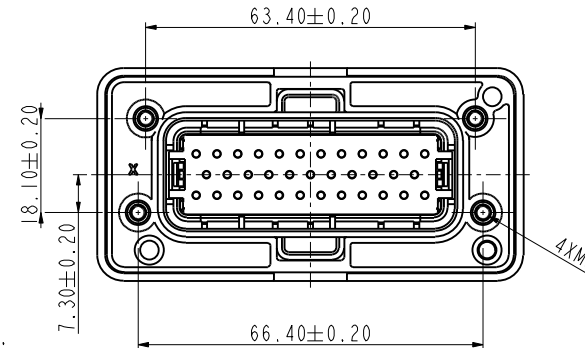
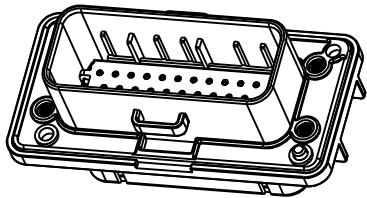
C-HVRCM12SCRX



安费诺精密连接器(深圳)有限公司
Amphenol PCD Shenzhen
受控文件
2019年10月10日



✦: IS CRITICAL CHARACTERISTIC SYMBOL,
◎: IS IMPORTANT CHARACTERISTIC SYMBOL.



| TECHINCAL DATA | | SPECIAL CHARACTERISTICS SYMBOL |
|------------------------------|---|--------------------------------|
| VOLTAGE RATING | 800VAC | ✦ |
| CURRENT RATING | 5A(22~18AWG) | ✦ |
| WIRE RANGE | 22-18AWG WIRE INSULATION OD: 1.35-2.5MM | NA |
| WATERPROOF (MATED CONDITION) | IP 67 | ✦ |
| OPERATION TEMP. | -40-125° | NA |
| MAX MATING CYCLES | 50 TIMES | ◎ |
| M3 TORQUE FORCE | 10 Kgf.cm | NA |

- NOTES:
 ✦ 1. MATERIAL: HOUSING PA66 UL94 V-0, SEAL SILICONE.
 2. MATE CONTACT AND SEAL SEE BELOW TABLE, CONTACT AND SEAL SHOULD BE ORDERED SEPARATELY. MATE CONNECTOR P/N: HVRCF12PCX.
 ⚠ THE GRAY HOUSING CANNOT BE INSERTED INTO SHELL DEEPER BEFORE INSTALL CONTACTS.
 ✦ 4. ROHS COMPLIANCE.

| USED WITH CONTACT AND SEAL TYPE | |
|---------------------------------|------------|
| CONTACT P/N | SEAL P/N |
| C310023102 | C220011207 |

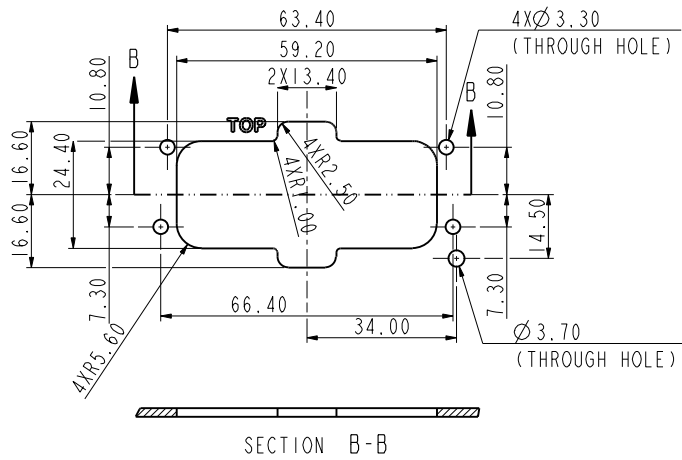
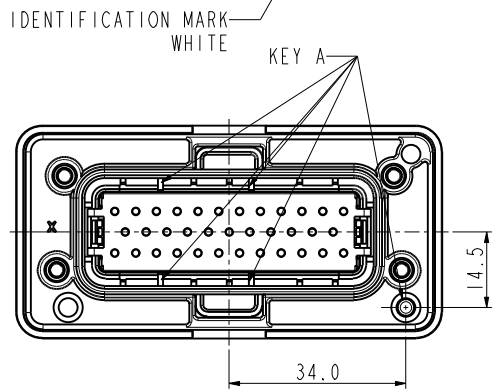
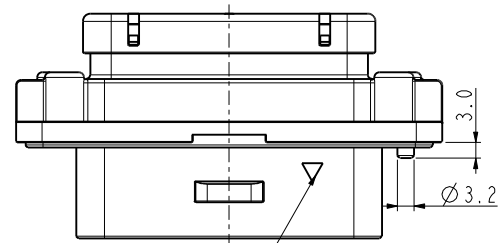
| | | | | |
|---|--|-----------------------|---|---|
| DIMENSIONS ANSI Y14.5M UNITS: MM Pro/E FILE | TOLERANCES .X ±0.05 .XX ±0.05 ANGLES ±2.0° | PROJECTION | TITLE SOCKET OF 12 PIN CONNECTOR REAR MOUNTING STYLE | |
| | | | ENGR | SIZE A3 DWG NO. C-HVRCM12SCRX |
| ORIGINAL | THIS DOCUMENT CONTAINS PROPRIETARY INFORMATION WHICH IS THE CONFIDENTIAL PROPERTY OF AMPHENOL PCD SHENZHEN | | REV 1 | SHEET 1 OF 2 |
| | | CHKD | CODE: 58982 | SCALE: 1:1 |
| | | APPD | | |

C-HVRCM12SCRX

C-HVRCM12SCRX

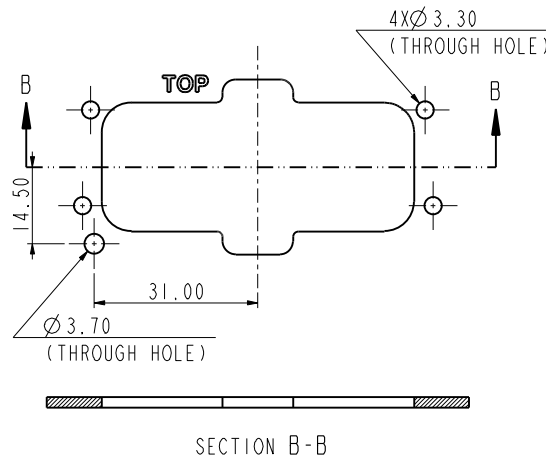
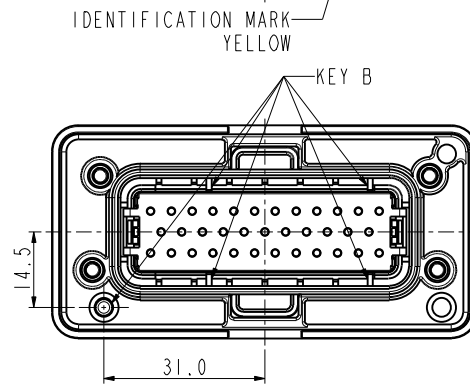
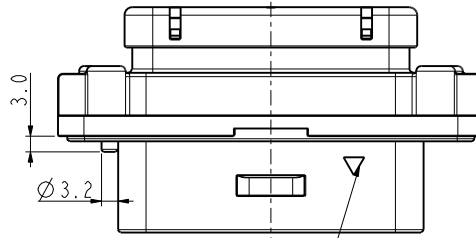
C-HVRCM12SCRX

HVRCM12SCRA



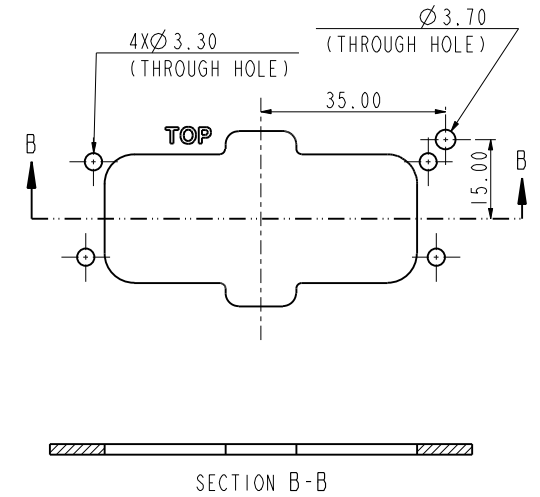
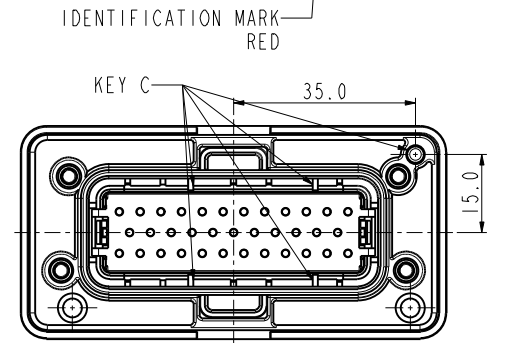
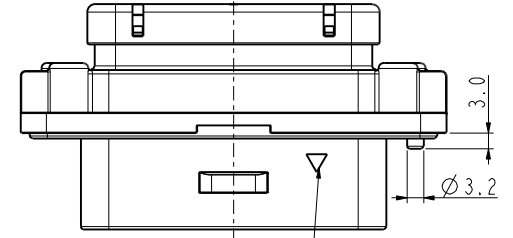
MOUNTING INTERFACE SPECIFICATION
1.5MM-5.5MM THICKNESS

HVRCM12SCRB



MOUNTING INTERFACE SPECIFICATION
1.5MM-5.5MM THICKNESS

HVRCM12SCRC



MOUNTING INTERFACE SPECIFICATION
1.5MM-5.5MM THICKNESS

C-HVRCM12SCRX

C-HVRCM12SCRX

安费诺精密连接器(深圳)有限公司
Amphenol PCD Shenzhen
受控文件
2019年10月10日

| | | |
|--------------------|---------------------------------|----------------------------|
| SIZE A3 | DWG NO. C-HVRCM12SCRX | REV 1 |
| CODE: 58982 | SCALE: 1:1 | SHEET 2 OF 2 |