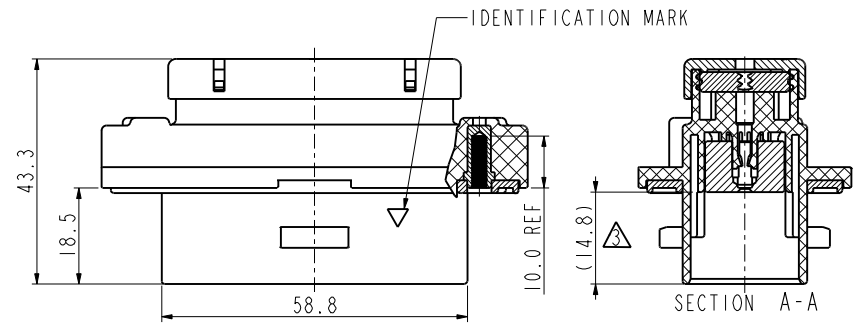
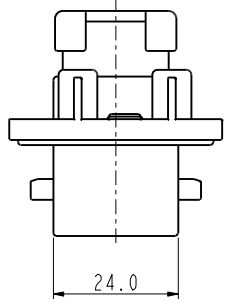
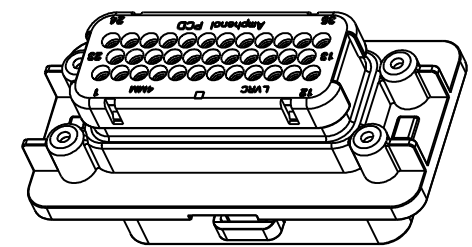
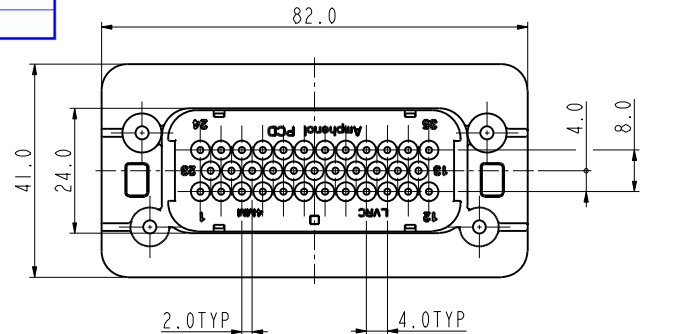
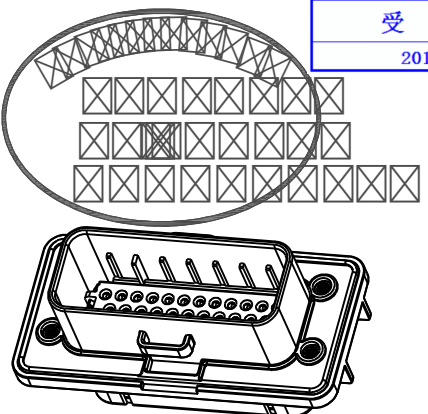


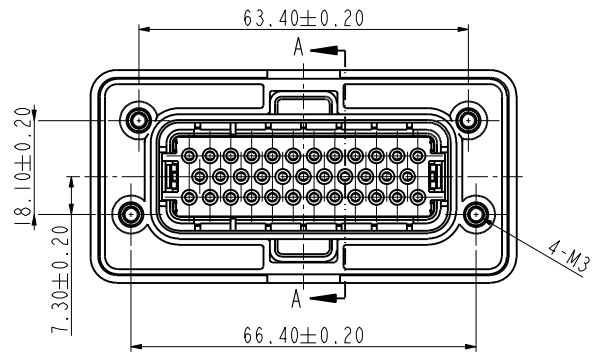
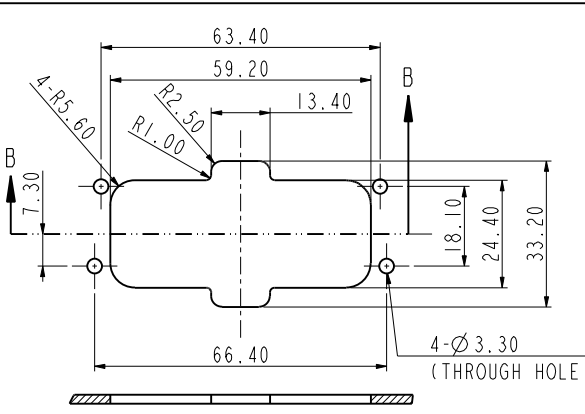
C-LVRCM35SCR



- NOTES:
1. MATE CONTACT: C310023102, PLEASE ORDER SEPARATELY.
  2. MATE CONNECTOR P/N: LVRCF35PC.
  3. THE GRAY HOUSING CANNOT BE INSERTED INTO SHELL DEEPER BEFORE INSTALL CONTACTS.
  4. ROHS COMPLIANCE.
  5. ADD 13 AND 23 HOLE MARKS, ADD 22AWG WIRE & PICK UP 14AWG WIRE CURRENT AND MAX NUMBER OF HOLES. CHANGE TO MOLDING M3 COPPER ALLOY NUT.

C-LVRCM35SCR

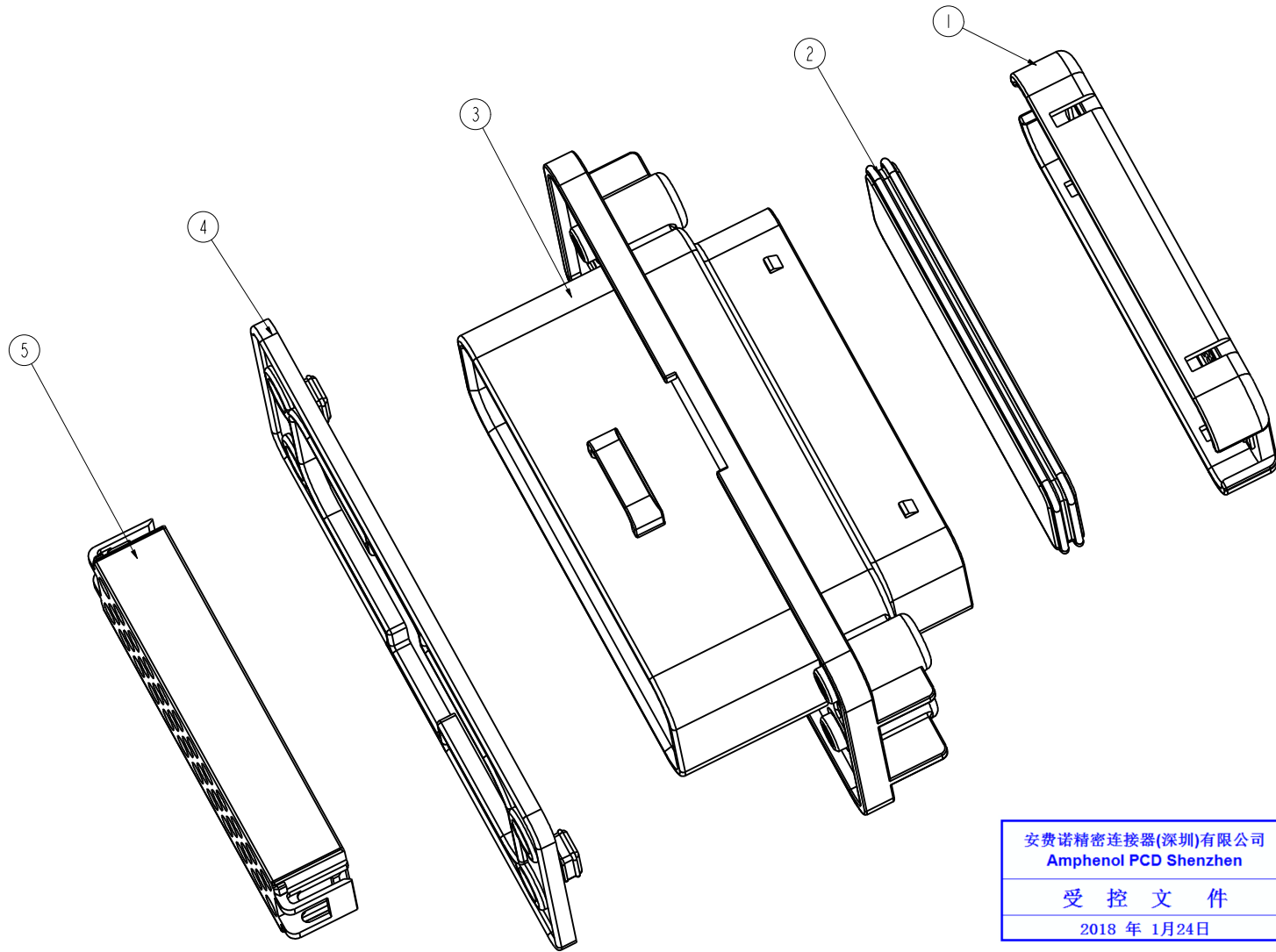
C-LVRCM35SCR



TECHNICAL DATA		SPECIAL CHARACTERISTICS SYMBOL
VOLTAGE RATING	250V	+
CURRENT RATING	8A(22~16AWG)	+
WIRE RANGE	22-14AWG WIRE INSULATION OD: 1.7-2.7MM	⊙
WATERPROOF (MATED CONDITION)	IP 67	+
OPERATION TEMP.	-40-125°	⊙
MAX MATING CYCLES	50 TIMES	⊙
M3 TORQUE FORCE	10Kgf.cm	⊙

SECTION B-B  
MOUNTING INTERFACE SPECIFICATION  
1.5MM MINIMUM THICKNESS

<b>DIMENSIONS</b> ANSI Y14.5M UNITS: MM Pro/E FILE	<b>TOLERANCES</b> .X ±0.5 .XX ±0.05 ANGLES ±2.0°	<b>PROJECTION</b> 	<b>TITLE</b> SOCKET OF 35 PIN CONNECTOR REAR MOUNTING STYLE		
			ENGR  CHKD APPD	SIZE <b>A3</b>	DWG NO. <b>C-LVRCM35SCR</b>
ORIGINAL	THIS DOCUMENT CONTAINS PROPRIETARY INFORMATION WHICH IS THE CONFIDENTIAL PROPERTY OF AMPHENOL PCD SHENZHEN		CODE: 58982	SCALE: 1:1	SHEET 1 OF 2



安费诺精密连接器(深圳)有限公司  
Amphenol PCD Shenzhen

受控文件

2018年1月24日

LVRCM35SCR	5	C220011208	INSERT HOUSING,PA66 GRAY	1
	4	C270011204	FLAT RUBBER OF SOCKET, BLACK	1
	3	C220011205	HOUSING,PA66 BLACK	1
	2	C270011201	RUBBER,SR RED	1
	1	C220011204	COVER,PA66 BLACK	1
P/N	ITEM	COMPONENT P/N	DESCRIPTION	QTY

SIZE <b>A3</b>	DWG NO. <b>C-LVRCM35SCR</b>	REV <b>C</b>
CODE: 58982	SCALE: 2:1	SHEET 2 OF 2