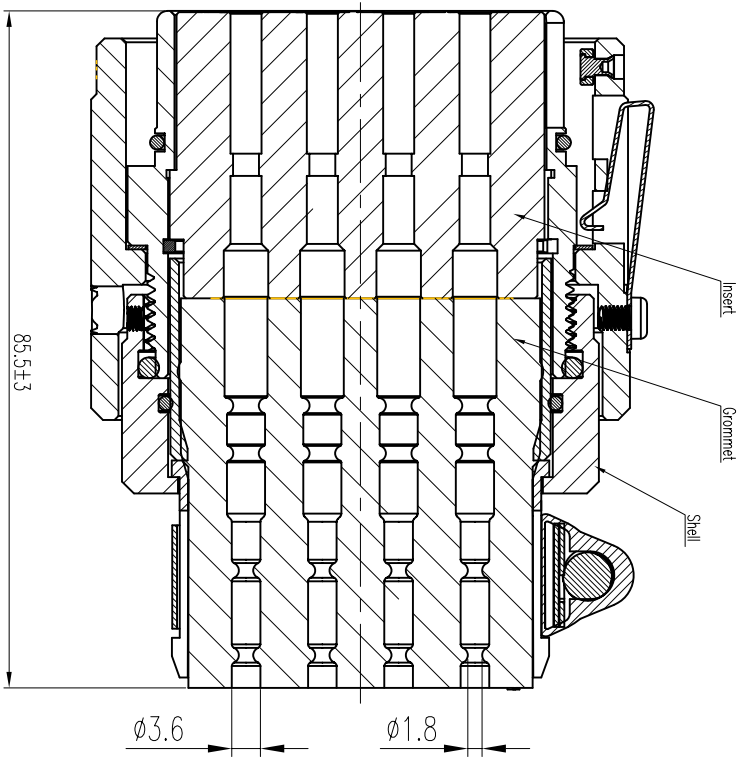
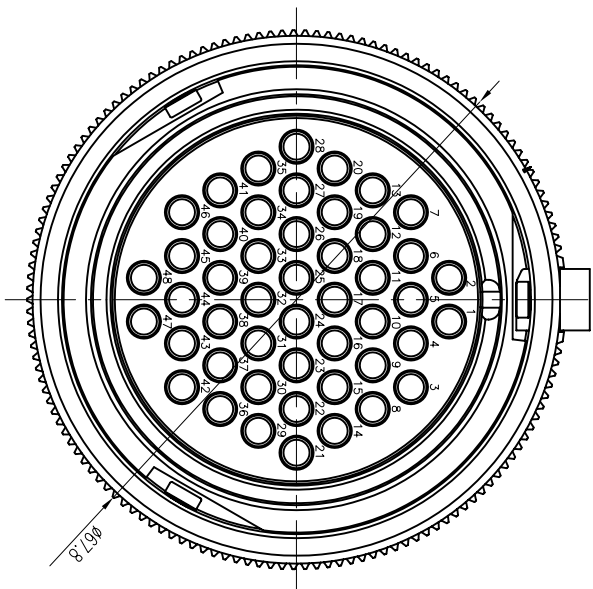


REV	ECN	DESCRIPTION	DATE	MODIFIED
-		PRE-RELEASE	2010.10.15	Del



***Notes:**

Material \ Finish
 Shells : Aluminum alloy/ Olive drab zinc plated
 Insert : Thermoplastics UL94-V0
 GROMMET : Rubber

Mechanical data
 Operating Temperature: -55°C ~ +125°C
 IP-Class: IP67
 Durability: 500 cycles

Electrical data:
 Voltage : 500V (AC) 600V (DC)
 Rated Current: 13A
 Insulation Resistance: 5000 M Ω Min
 Contact Resistance: Less than 2.5 milliohms

Amphenol Pcd SZ
 ORIGINAL
 PDF Format
 15 Otc. 10R&D

DIMENSIONS	TOLERANCES	PROJECTION	TITLE	
ANSI Y14.5M UNITS: MM CAD/ FILE	X XX ANGLES ± 0.5 ± 0.10 $\pm 0.5^\circ$		Amphenol Pcd Shenzhen	
ORIGINAL FOR CUSTOMER DISTRIBUTION	THIS DOCUMENT CONTAINS PROPRIETARY INFORMATION WHICH IS THE CONFIDENTIAL PROPERTY OF AMPHENOL PCD SHENZHEN		CHKD APPD	SIZE A3
			DWG NO. ASGTC6L 36 48 SCLF LC	REV -
			SCALE 1:1	SHEET 1 OF 1

Connector Plug 36-48 SC LC