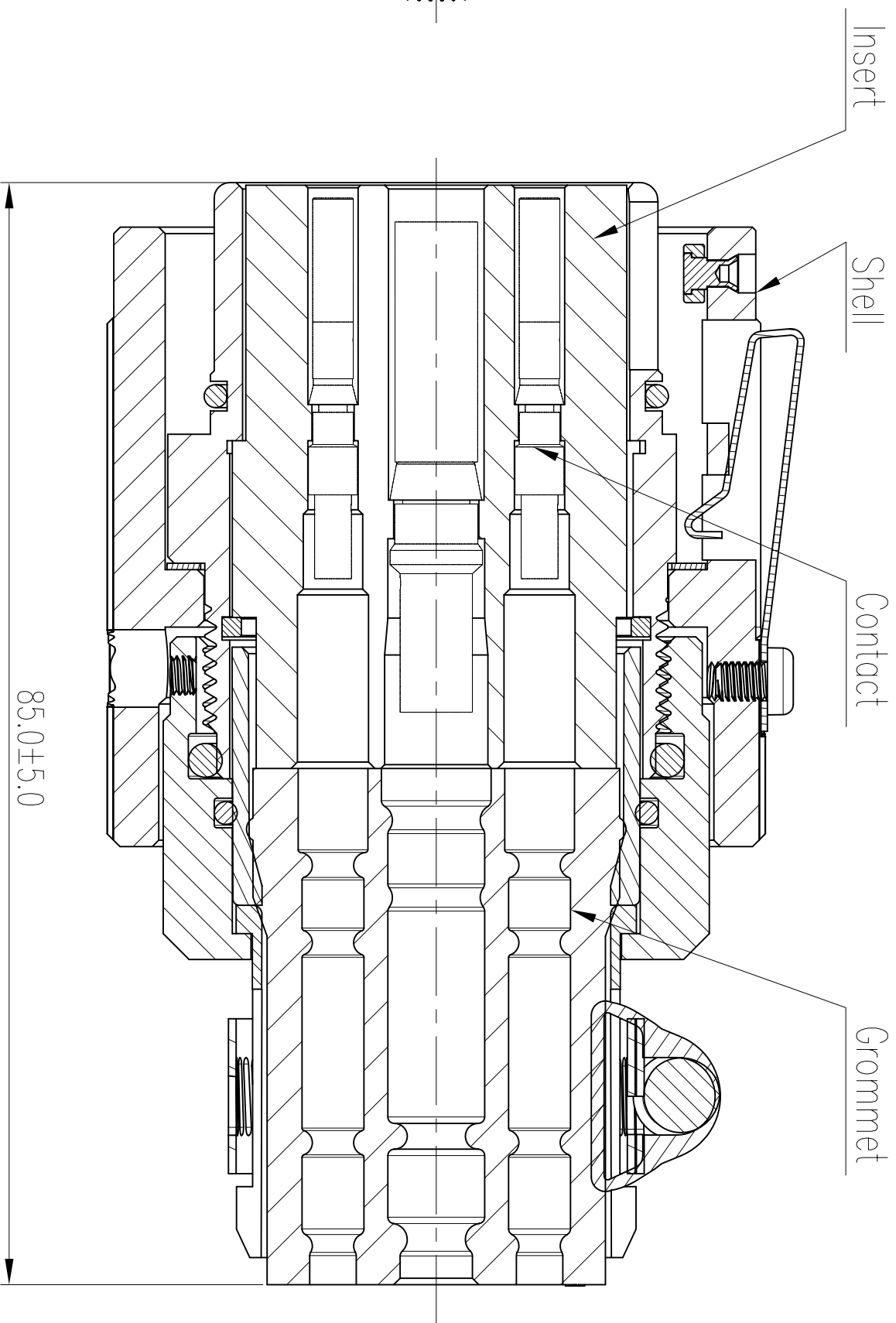
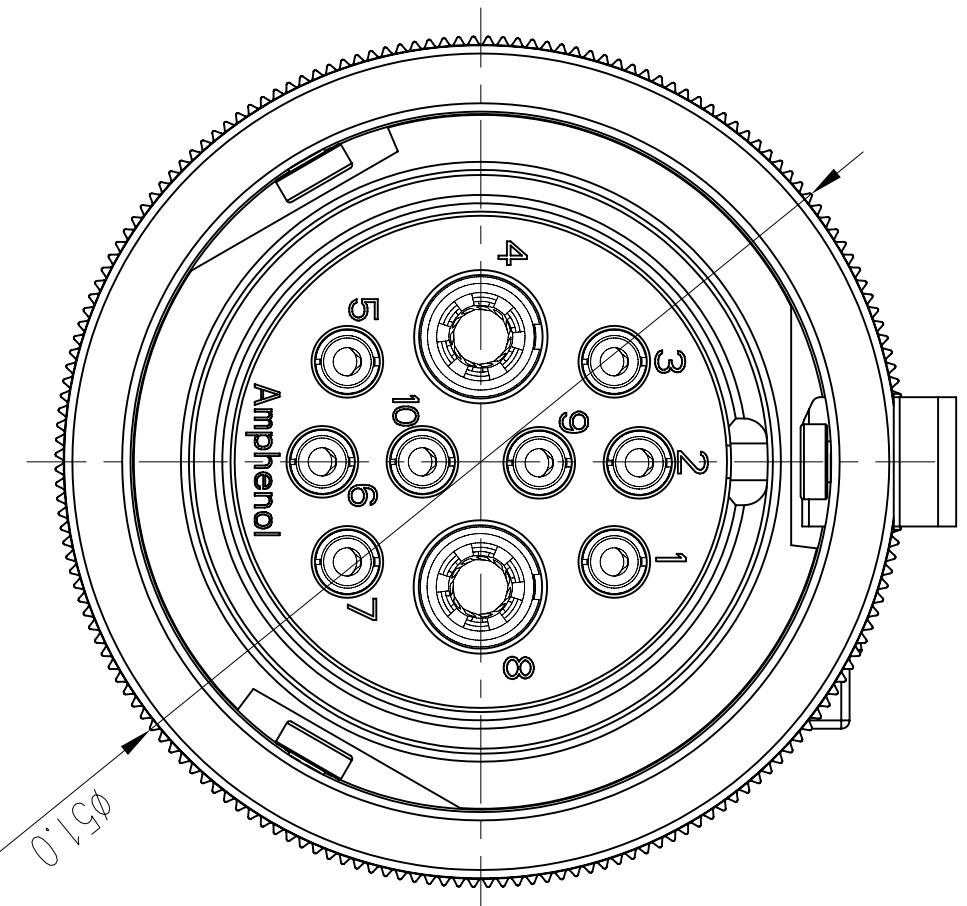


REV	ECN	DESCRIPTION	DATE	MODIFIED
1		PRE-RELEASE	2011.01.14	Thomas
2		Added two #16 contacts	2011.01.21	Thomas



Amphenol PCD SZ
ORIGINAL
 PDF Format
 21 Jan. 11R&D

***Notes:**

Material \ Finish

- Shells : Aluminum alloy/ Olive drab zinc plated
- Insert : Thermoplastics UL94-V0
- Contact : 2x #8 Socket contacts (4~7mm²)
- 6x #16 Socket contacts (1.25~2mm²)
- Copper alloy / Silver plated crimp type
- Grommet : Rubber

Mechanical data

- Operating Temperature: -55° C ~ +125° C
- IP-Class: IP67
- Durability: 500 cycles

Electrical data:

- Rated Voltage : 250V AC @ OV3 AND PD3
- Rated Current : 46A (#8 contact)
- 13A (#16 contact)
- Insulation Resistance: 2000 MΩ Min
- Contact Resistance: Less than 0.9 milliohms (#8 contact)
- Less than 2.5 milliohms (#16 contact)

DIMENSIONS	TOLERANCES	PROJECTION	TITLE
ANSI Y14.5M UNITS: MM CAD/FILE	X ± 0.5 .XX ±0.10 ANGLES ±0.5°		Amphenol Pcd Shenzhen
ORIGINAL FOR CUSTOMER DISTRIBUTION	THIS DOCUMENT CONTAINS PROPRIETARY INFORMATION WHICH IS THE CONFIDENTIAL PROPERTY OF AMPHENOL PCD SHENZHEN		CHKD APPD
			SIZE A3 CODE:
			DWG NO. AS GTC6L 24M2 SC LF
			SCALE 1.5:1
			SHEET 1 OF 1
			REV 2

PLUG/插头