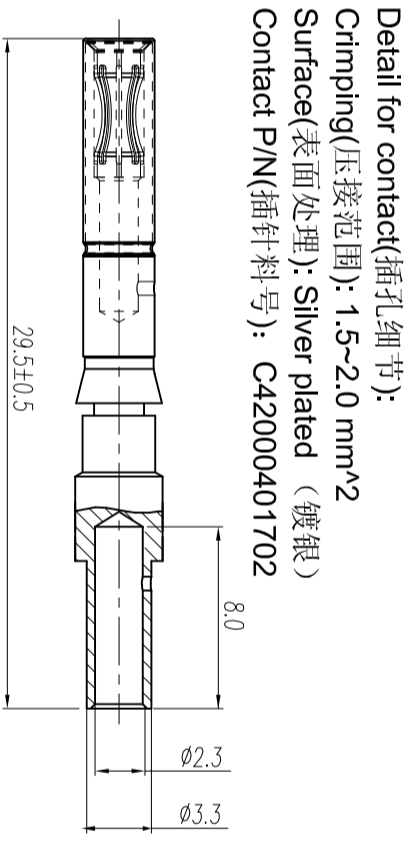
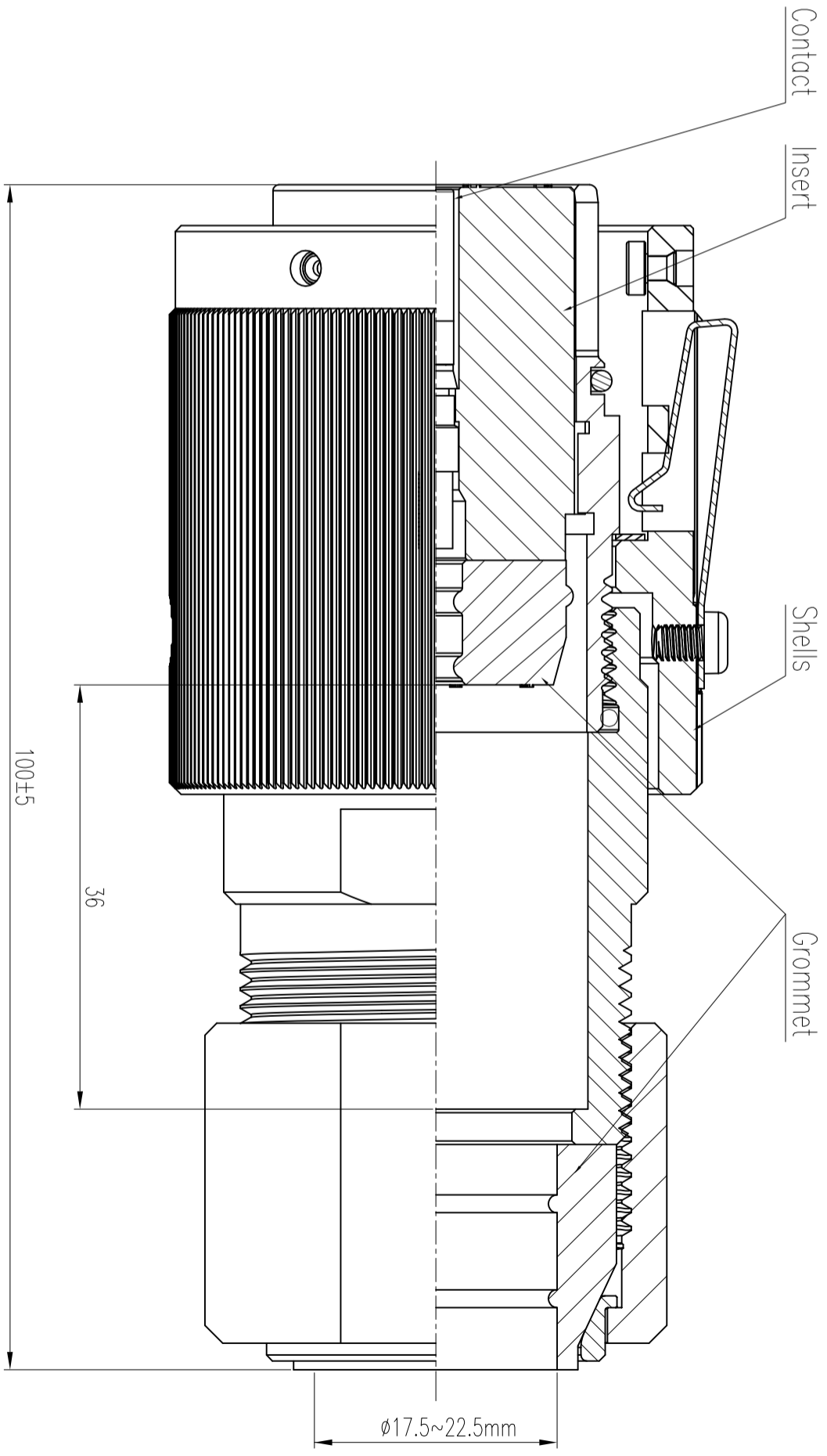
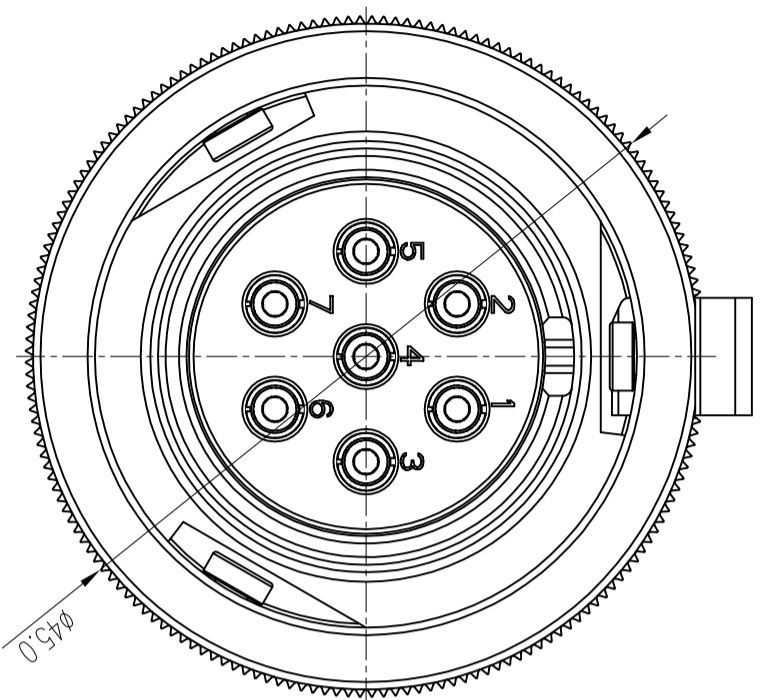


REV	ECN	DESCRIPTION	DATE	MODIFIED
1		PRE-RELEASE	2013.10.14	Del Yoo



***Notes:**

Material \ Finish (材质/表面处理):

Shells : Aluminum alloy/ Olive drab zinc plated

外壳: 铝合金/镀绿锌

Insert : Thermoplastics UL94-V0

绝缘插芯: V0级热塑性塑料壳

Contact : 7x #16 Socket contacts

Copper alloy / Silver plated / crimp type(1.5~2.0mm²)

插接端子: 7x #16插孔端子 (铜合金/镀银/压接式) (1.5~2.0mm²)

Grommets: Silicone Rubber

密封件: 硅胶

Mechanical data (机械参数):

Operating Temperature(使用温度): -40°C ~ +125°C

IP-Class(防护等级): IP67

Durability(机械寿命): 500 cycles

Electrical data(电气参数):

Rated Voltage(额定电压): 500V

Test Voltage (Vac rms)(耐压): 3000V

Rated Current(额定电流): 13A

Insulation Resistance(绝缘电阻): 5000 MΩ Min(500VDC)

Contact Resistance(接触电阻): Less than 2.5 milliohms

DIMENSIONS ANSI Y14.5M UNITS: MM	TOLERANCES	PROJECTION	Amphenol Pcd Shenzhen ENGR CHKD		TITLE Connector Plug 20-07 SC		
	X XX ANGLES	± 0.5 ±0.10 ±0.5°					
ORIGINAL FOR CUSTOMER DISTRIBUTION	THIS DOCUMENT CONTAINS PROPRIETARY INFORMATION WHICH IS THE CONFIDENTIAL PROPERTY OF AMPHENOL PCD SHENZHEN		APPD	SCALE 1:1	SHEET 1 OF 1		