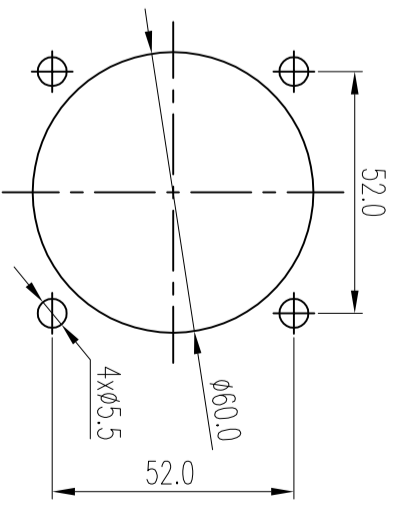
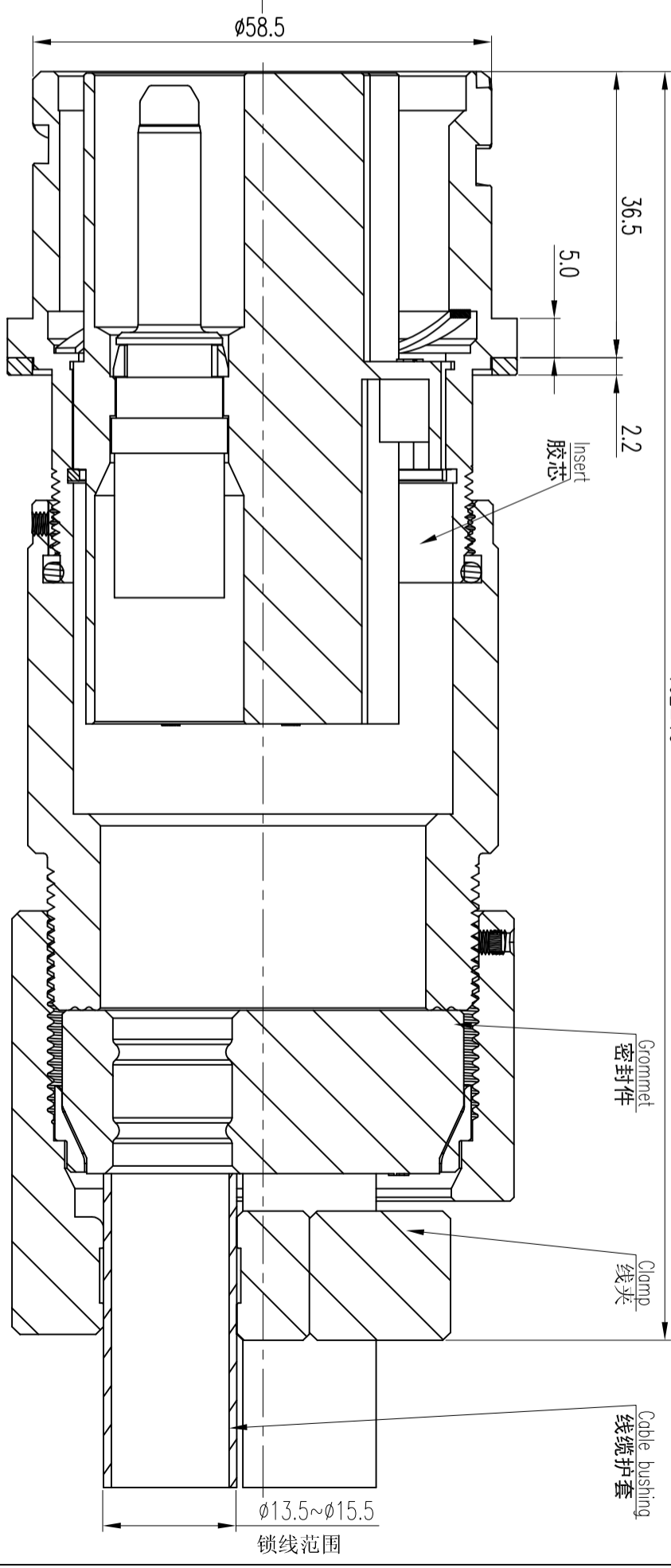
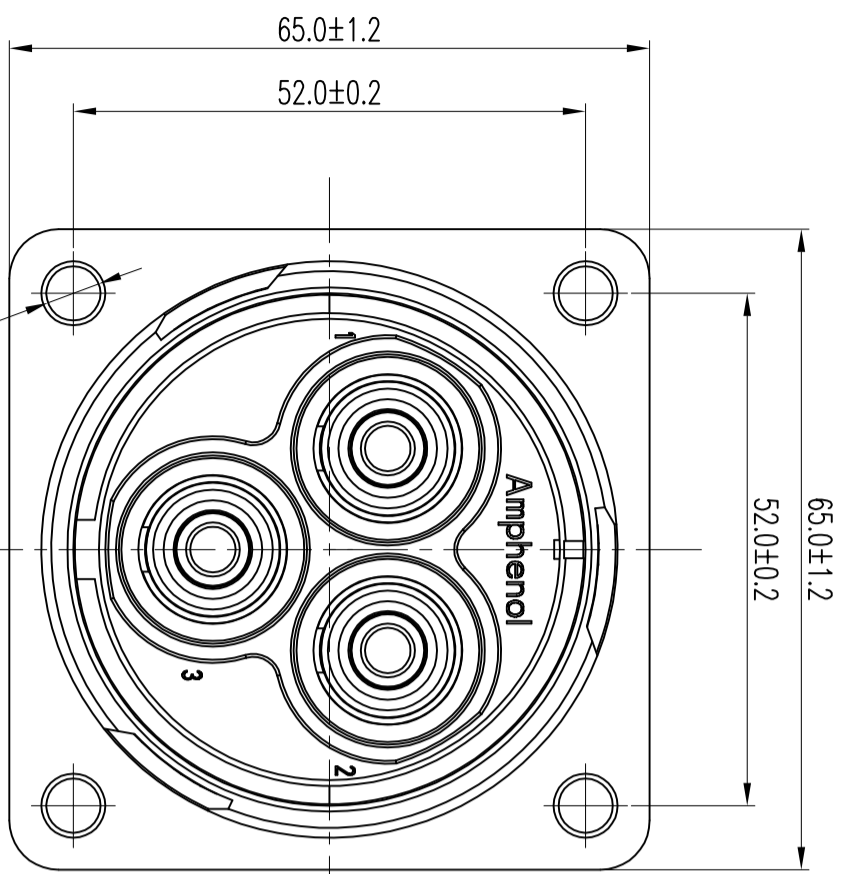


REV	ECN	DESCRIPTION	DATE	MODIFIED
1		PRE-RELEASE	18-Jan-16	C.Z
2		UPDATED	22-Mar-16	C.Z
3		UPDATED	06-Apr-16	C.Z



***Notes:/注意:**

Material \ Finish 材质/表面处理
 Shells: Aluminum alloy/ Olive drab Anode Oxidation
 外壳: 铝合金/绿色阳极氧化
 Insulator: Thermoplastics UL94-V0
 插芯: UL94-V0 塑胶
 Contact: 3x 8mm 50mm² socket contacts
 Copper alloy / Silver plated / Crimp type
 插针: 3x 8mm 50mm² 母针端子
 铜合金/镀银/压接式
Mechanical data 机械参数:
 Durability: 500 cycles
 机械寿命: 500 循环
Environmental data 环境参数:
 Operating Temperature: -55°C ~ +125°C
 使用温度: -55°C ~ +125°C
 IP-Class: IP67
 IP防护等级: IP67
 Salt Spray: 96H MIN
 盐雾测试: 96小时 MIN

Electrical data 电气参数:

Rated Voltage: 2500V r.m.s
 额定电压: 2500V
 Test Voltage: 8500V
 测试电压: 8500V
 Rated Current: 150A Max.
 额定电流: 150A Max.
 Insulation Resistance: 5000 MΩ Min
 绝缘电阻: 大于5000 MΩ
 Contact Resistance: Less than 0.5 milliohms
 接触电阻: 小于0.5 mΩ

DIMENSIONS	TOLERANCES	PROJECTION	TITLE	
ANSI Y14.5M UNITS: MM CAD FILE	X .XX ANGLES ±0.5°		Amphenol Pcd Shenzhen	ASGTC 36-03 RECEPTACLE
ORIGINAL NOT FOR CUSTOMER DISTRIBUTION	THIS DOCUMENT CONTAINS PROPRIETARY INFORMATION WHICH IS THE CONFIDENTIAL PROPERTY OF AMPHENOL PCD SHENZHEN		CHKD ENGR	SIZE A3
			APPD	DWG NO. ASGTC-3L-3603-PC-R8-A3D15
			CODE:	SCALE 1.3:1
			SHEET	1 OF 1
			REV	3