

***Notes:**

Mechanical data 机械参数

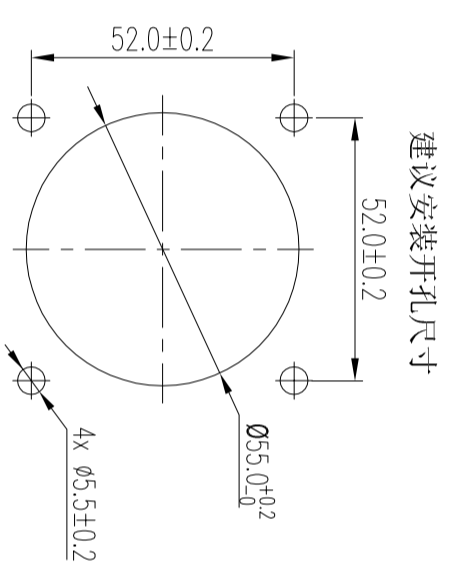
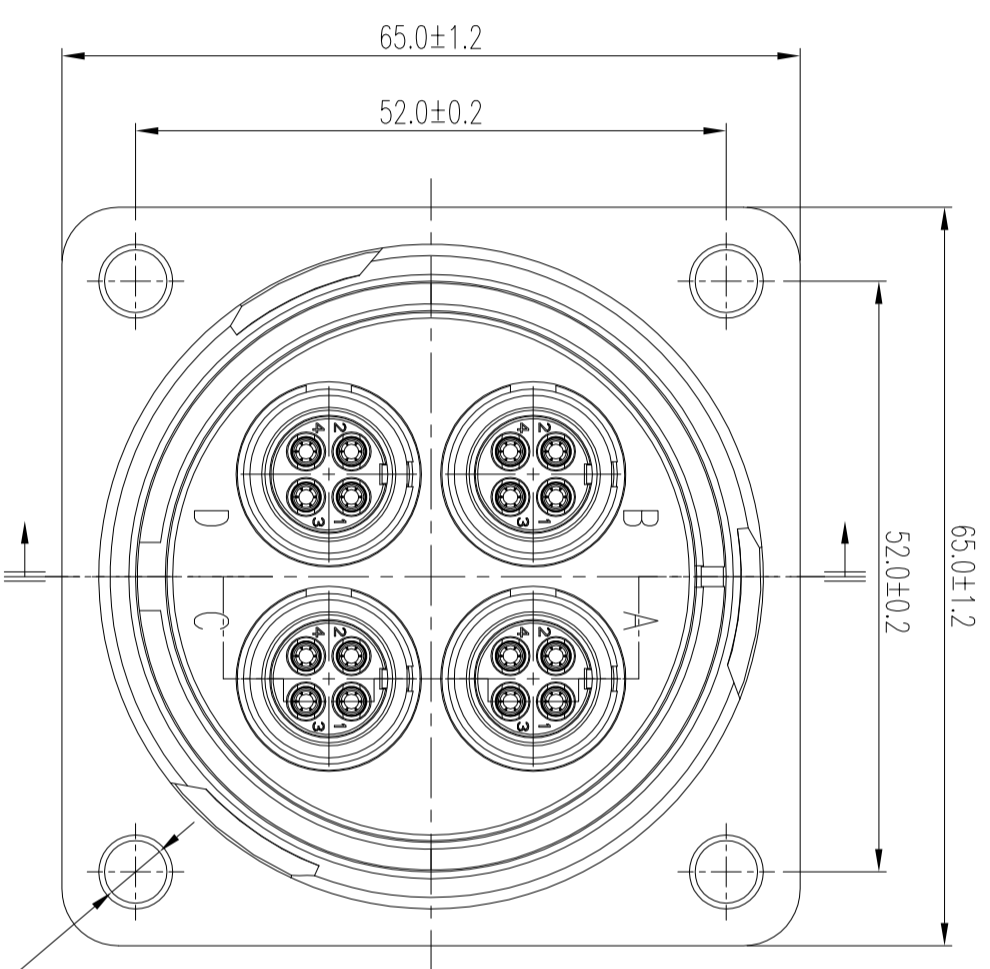
Connector shell: Aluminum alloy/
 Olive drab zinc plated
 外壳: 铝合金/军绿锌
 Operating Temperature: -40°C ~ +125°C
 使用温度: -40°C ~ +125°C
 IP-Class: IP67 防护等级: IP67
 Durability: 500 cycles 机械寿命: 500次
 Electrical data: 电气参数

Test Voltage (Vac rms): 1500V
 测试电压: (Vac rms) 1500V
 Rated Voltage(Vac rms): 125V
 额定电压: (Vac rms) 125V
 Rated Current: 13A
 工作电压: 13A

Insulation Resistance: 2000 MΩ Min
 绝缘电阻: 大于2000 MΩ
 Contact Resistance: Less than 2.5 milliohms
 接触电阻: 小于2.5mΩ
 Contact Wire: 0.75~1.5mm[∨]2
 插针接线范围: 0.75~1.5mm[∨]2
 EMI Module屏蔽模组

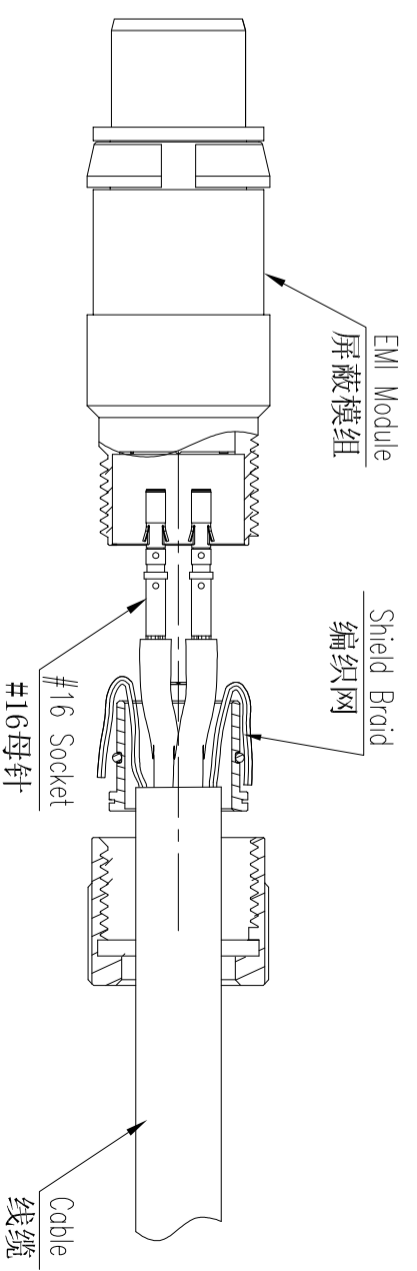
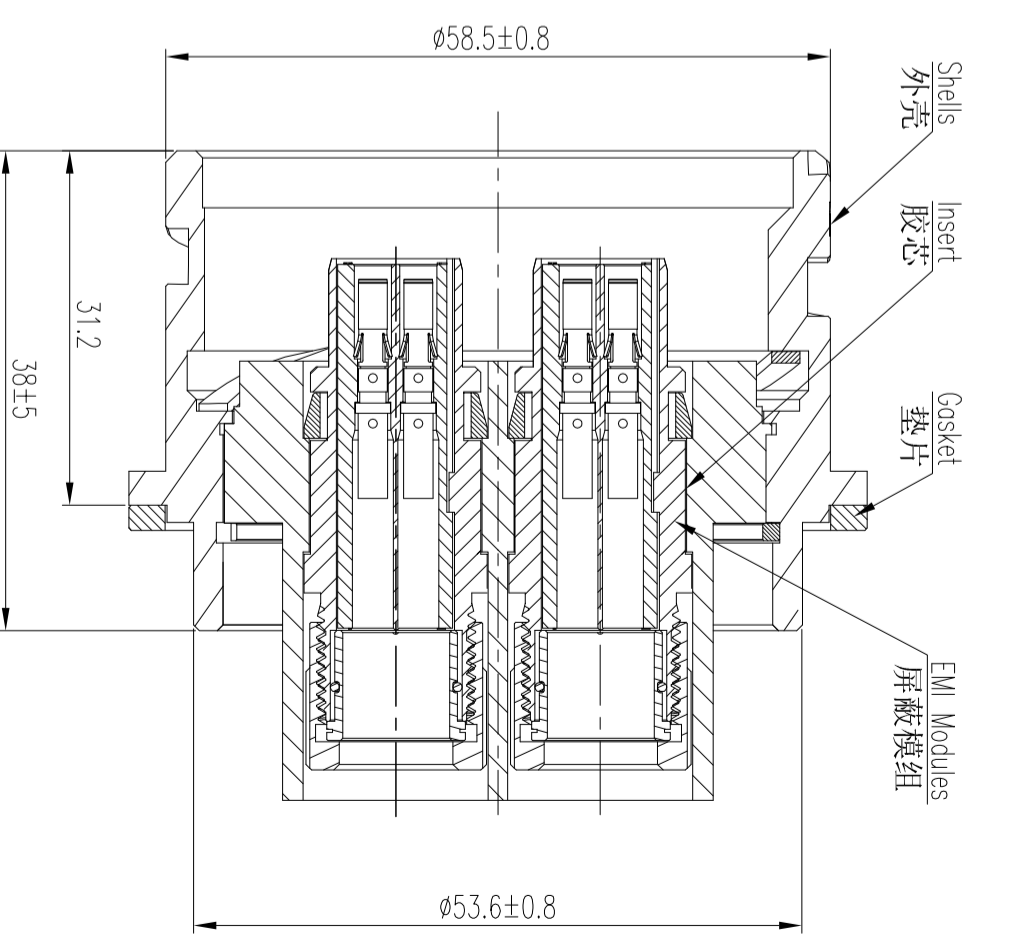
Shell--Copper alloy/ Gold plated
 外壳: 铜合金/电镀金
 Insert--Thermoplastics UL94-V0
 胶芯: UL94-V0

Contact--4x #16contacts
 插针: 4X#16
 Signal transmission:100Mbps
 传输速率: 100Mbps
 Wire Rang: Ø6.0~Ø8.0mm
 线径范围: Ø6.0~Ø8.0mm



建议安装开孔尺寸

SCALE-2:3



SCALE-3:2

DIMENSIONS ANSI Y14.5M UNITS: MM CAD FILE	TOLERANCES X .XX ANGLES ±0.1 ±0.02 ±0.5°	PROJECTION 	TITLE			
			Connector Receptacle 36 M4 SC			
ORIGINAL NOT FOR CUSTOMER DISTRIBUTION	THIS DOCUMENT CONTAINS PROPRIETARY INFORMATION WHICH IS THE CONFIDENTIAL PROPERTY OF AMPHENOL PCD SHENZHEN		Amphenol Pcd Shenzhen	SIZE A3	DWG NO. ASGTC-3A-36-M4-SGC	REV 1
			CHKD APPD	SCALE 1:1	SHEET 1 OF 1	

REV	ECN	DESCRIPTION	DATE	MODIFIED
1		PRE-RELEASE	2016.11.28	R.Wang