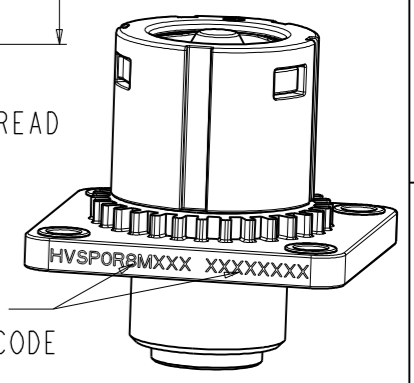
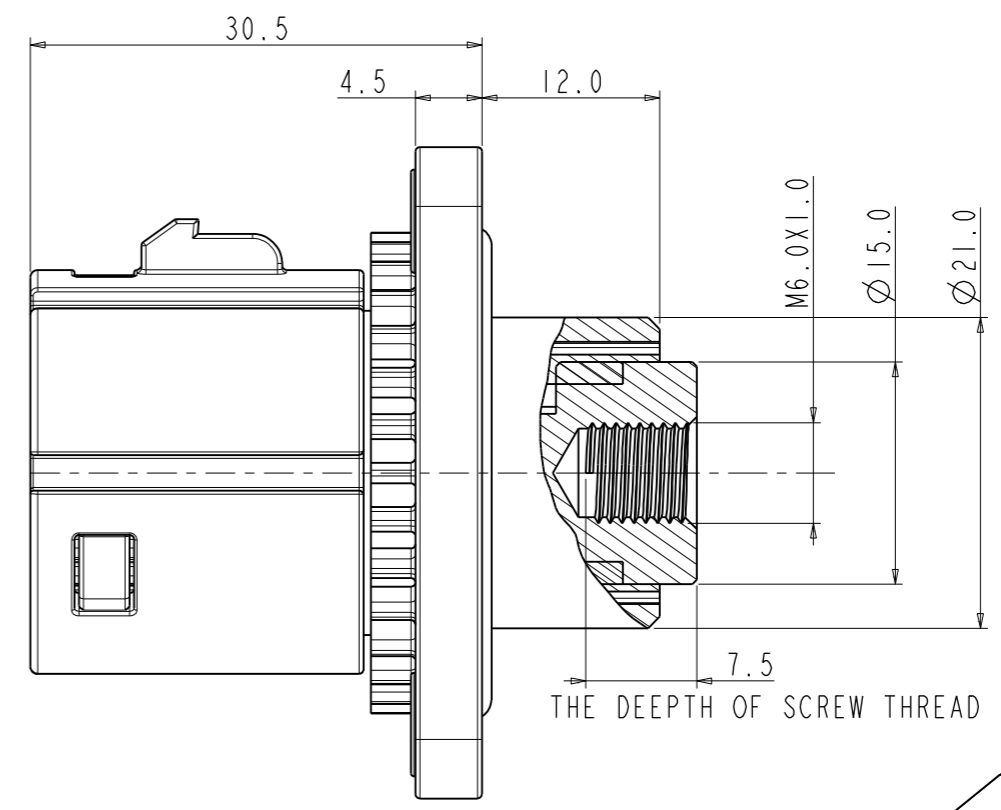
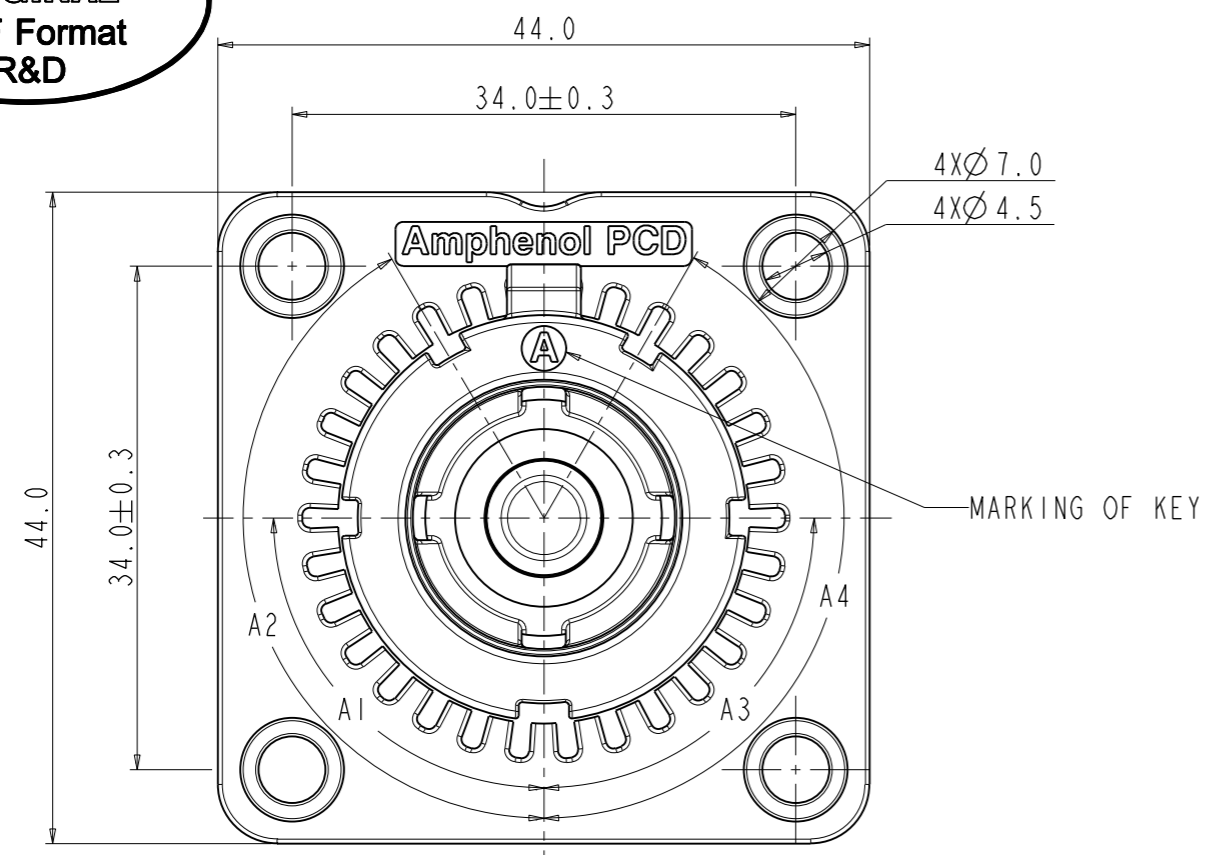


C-HVSP0R8MDXX

REV	ECN	DESCRIPTION	DATE	MODIFIED
A		FIRST RELEASE	Jun-17-2015	
B	R4066N	ADJUST THE TORQUE	Apr-08-2020	
C	C5607N	UPGRADE THE RATING VOLTAGE	Jun-27-2022	

ORIGINAL
PDF Format
R&D

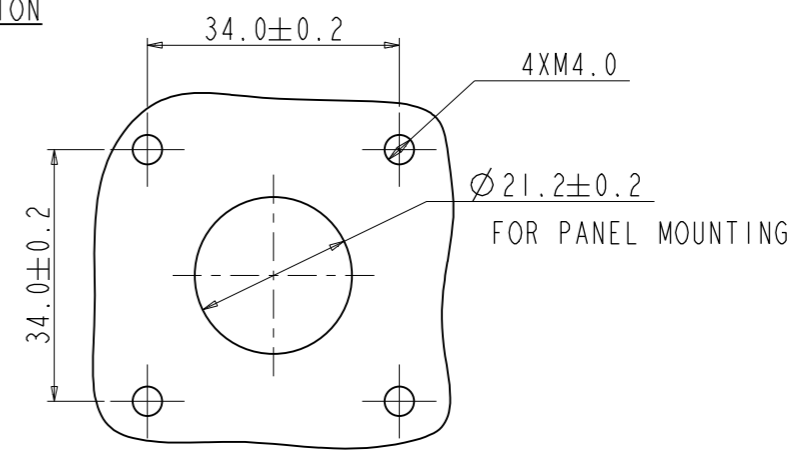


- NOTE:
 1. FLANGE MATCHING SCREW IS M4 SUGGEST THE LOCKING TORQUE IS 1.2N.M
 2. CONTACT MATCHING SCREW IS M6X1.0 SUGGEST THE LOCKING TORQUE IS 6N.M
 3. RoHS&REACH COMPLIANCE
 4. PART NUMBER DESCRIPTION: HVSP0R8MD X X

PRINTING CONTENT:
P/N+TRACEABILITY CODE

PART NO.	KEY OF CODING OPTION			
	A1	A2	A3	A4
A	90°	150°	90°	150°
B	90°	120°	90°	120°
C	120°	150°	120°	150°
D	120°	150°	90°	150°
E	90°	150°	120°	150°

COLOR OF CODING OPTION
N/A=ORANGE
B=BLACK



TECHNICAL DATA		REMARK
CURRENT RATE(50MM ² CABLE)	UP TO 180A	+
CURRENT RATE(35MM ² CABLE)	UP TO 150A	+
RATING VOLTAGE (OVERVOLTAGE CATEGORY II POLLUTION DEGREE 2)	1500V DC	+ △
OPERATING TEMPERATURE	-40~125°C	
DIELECTRIC WITHSTANDING VOLTAGE	4000V AC(RMS)	+ △
INSULATION RESISTANCE	200MΩ MIN. 25°C, NO CABLE	+ △
DURABILITY	50 CYCLES	◎
SHIELDING	NO	
WATERPROOF(MATED CONDITION)	IP 67	+ △
AMBIENT TEMPERATURE	-40~70°C	
PROTECTION LEVEL	IP2XB	+ △
RoHS&REACH	YES	+ △

DIMENSIONS	TOLERANCES	PROJECTION
ANSI Y14.5M	.X ±0.5	
UNITS: MM	.XX ±0.05	
Pro/E FILE	ANGLES ±2°	
ORIGINAL	THIS DOCUMENT CONTAINS PROPRIETARY INFORMATION WHICH IS THE CONFIDENTIAL PROPERTY OF Amphenol PCD Shenzhen Co. Ltd Amphenol PCD Shenzhen Co. Ltd RESERVES THE RIGHT TO CLARIFY THIS DRAWING	

TITLE		SIZE	DWG NO.	REV
Amphenol PCD Shenzhen		A3	C-HVSP0R8MDXX	C
ENGR Jun-17-2015		CODE: 58982	SCALE: 2:1	SHEET 1 OF 1
CHKD	APPD			

C-HVSP0R8MDXX

C-HVSP0R8MDXX