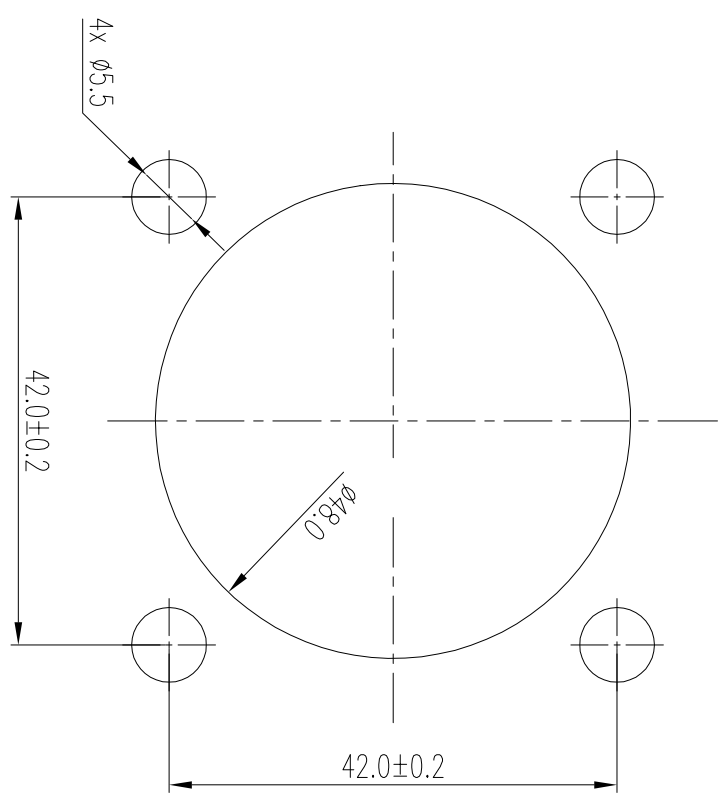
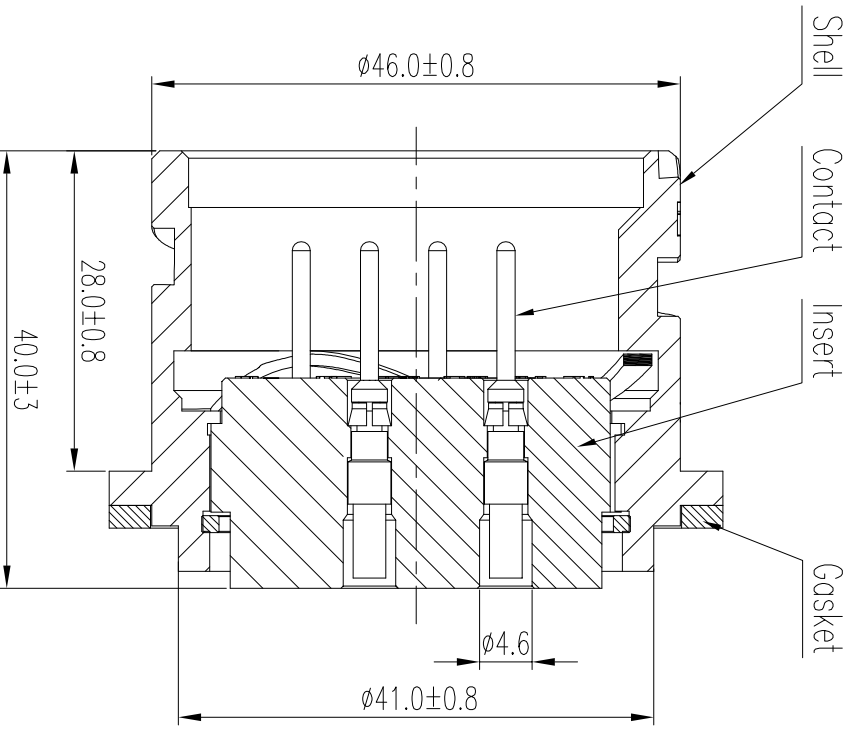
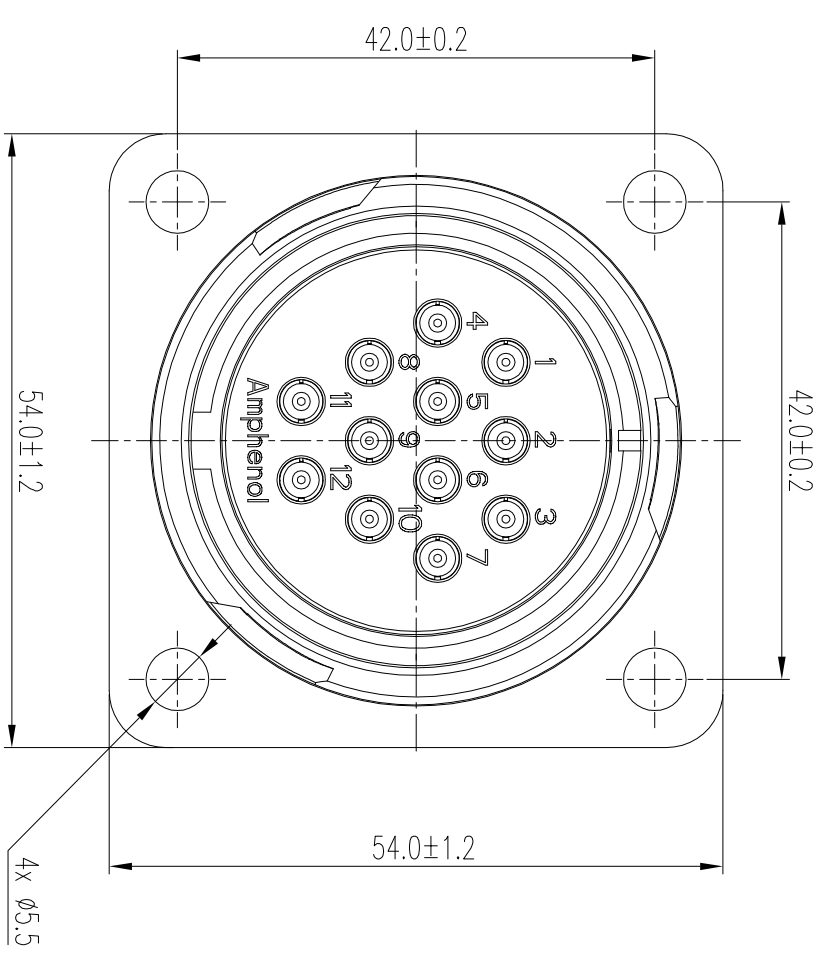


REV	ECN	DESCRIPTION	DATE	MODIFIED
1		PRE-RELEASE	2010.10.25	Thomas
2		UPDATE	2016.12.15	R.Weng



面板安装开孔尺寸 (参考)

***Notes:**

Material \ Finish
 Shells : Aluminum alloy/ Olive drab zinc plated
 Insert : Thermoplastics UL94-V0
 Contact : 12x #16 Pin contact (1.0~1.5mm²)
 Copper alloy / Silver plated /crimp type
 Gasket:Rubber

Mechanical data
 Operating Temperature : -55°C ~ +125°C
 IP-Class : IP67
 Durability : 500 cycles

Electrical data:
 Test Voltage (Vac rms) : 3000V
 Rated Current: 13A
 Insulation Resistance: 5000MΩ Min
 Contact Resistance: Less than 2.5 milliohms

DIMENSIONS	TOLERANCES	PROJECTION	TITLE	
ANSI Y14.5M UNITS: MM CAD FILE	X ± 0.5 .XX ±0.1 ANGLES ±0.5°		Connector Receptacle	
ORIGINAL NOT FOR CUSTOMER DISTRIBUTION	THIS DOCUMENT CONTAINS PROPRIETARY INFORMATION WHICH IS THE CONFIDENTIAL PROPERTY OF AMPHENOL PCD SHENZHEN		Amphenol Pcd Shenzhen	SIZE A3
			CHKD	DWG NO. ASGTC-2A-2812-PC
			ENGR	SCALE 2:3
			APPD	SHEET 1 OF 1
				REV 2