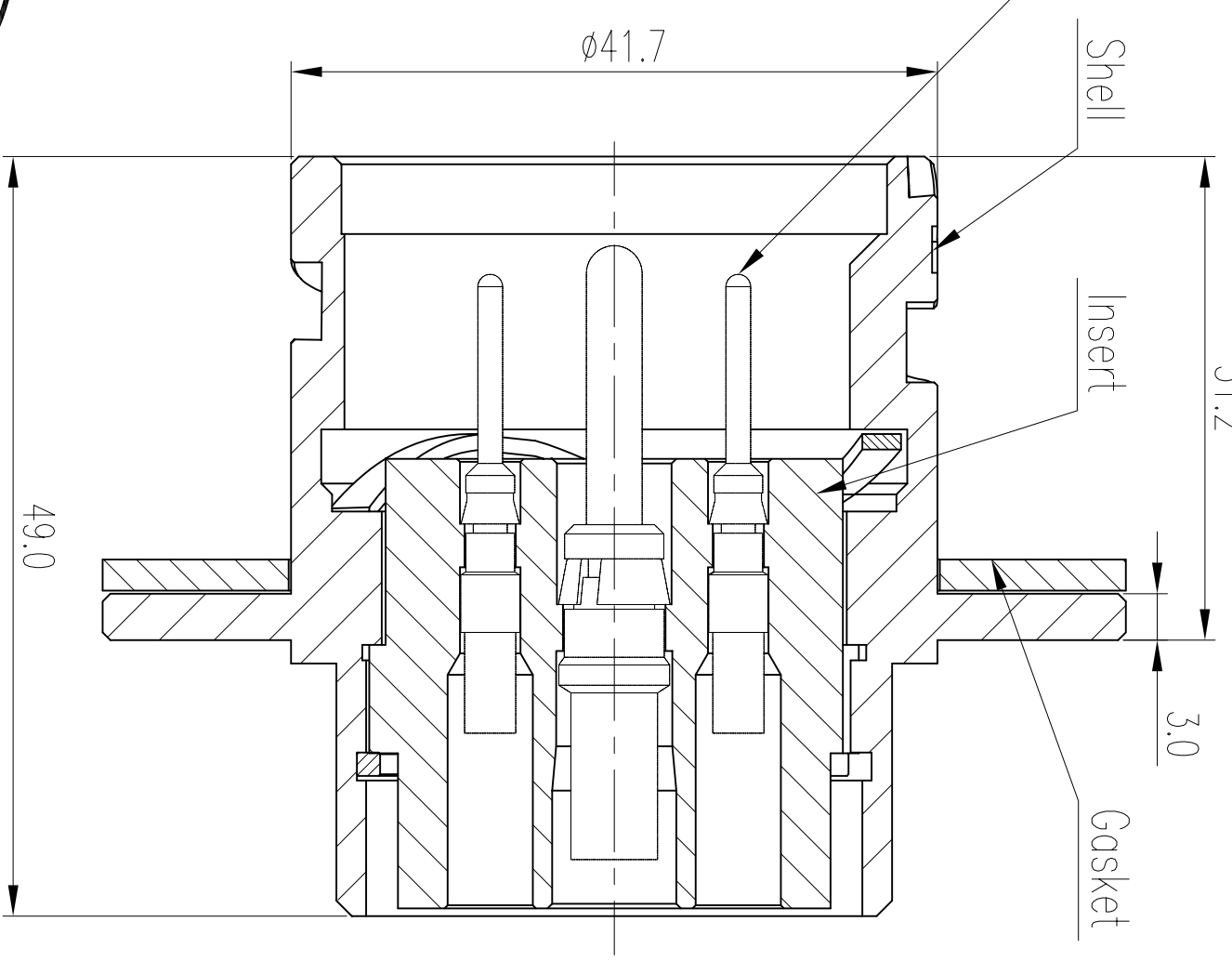
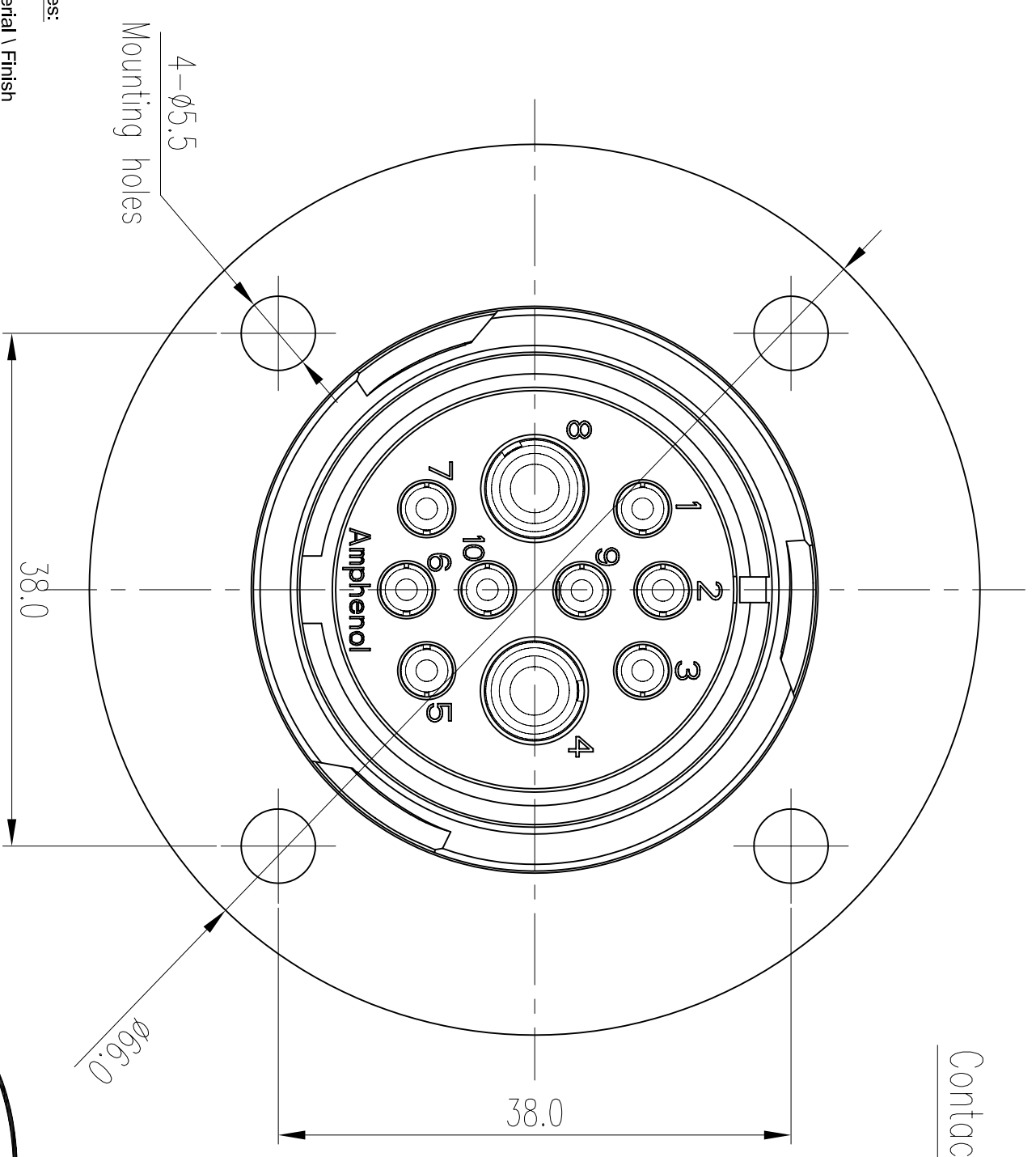


| REV | ECN | DESCRIPTION            | DATE       | MODIFIED |
|-----|-----|------------------------|------------|----------|
| 1   |     | PRE-RELEASE            | 2011.01.14 | Thomas   |
| 2   |     | Added two #16 contacts | 2011.01.21 | Thomas   |



**\*Notes:**

Material \ Finish  
 Shells : Aluminum alloy/ Olive drab zinc plated  
 Insert : Thermoplastics UL94-V0  
 Contact : 2x #8 Pin contacts (4~7mm<sup>2</sup>)  
 6x #16 Pin contacts (1.25~2mm<sup>2</sup>)  
 Copper alloy / Silver plated crimp type  
 Gasket : Rubber

**Mechanical data**  
 Operating Temperature: -55° C ~ +125° C  
 IP-Class: IP67  
 Durability: 500 cycles

**Electrical data:**  
 Rated Voltage : 250V AC @ OV3 AND PD3  
 Rated Current : 46A (#8 contact)  
 13A (#16 contact)  
 Insulation Resistance: 2000 MΩ Min  
 Contact Resistance: Less than 0.9 milliohms (#8 contact)  
 Less than 2.5 milliohms (#16 contact)

Amphenol P D Sz  
 ORIGINAL  
 PDF Format  
 21 Jan. 11R&D

| DIMENSIONS                                  | TOLERANCES  | PROJECTION | Amphenol Pcd Shenzhen |      | RECEPTACLE/插座 |                  |              |
|---|---|------------|-----------------------|------|---------------|------------------|--------------|
| ANSI Y14.5M<br>UNITS: MM<br>CAD/FILE        | X ± 0.5<br>XX ± 0.10<br>ANGLES ± 0.5°   |            | ENGR                  | CHKD | A3            | AS GTC2A 24M2 PC | REV<br>2     |
| ORIGINAL<br>FOR<br>CUSTOMER<br>DISTRIBUTION | THIS DOCUMENT CONTAINS<br>PROPRIETARY INFORMATION WHICH<br>IS THE CONFIDENTIAL PROPERTY<br>OF AMPHENOL PCD SHENZHEN |            | APPD                  |      | CODE:         | SCALE 1.5:1      | SHEET 1 OF 1 |