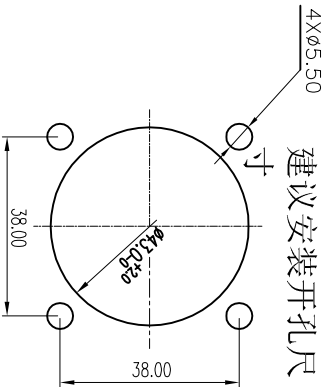
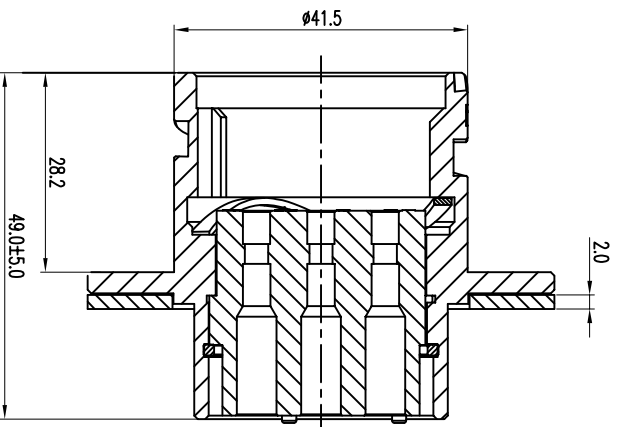
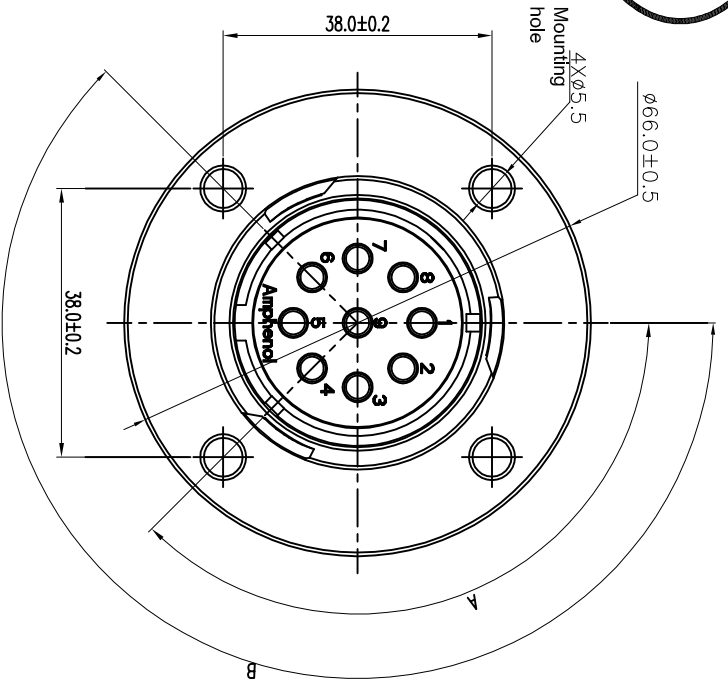


**Amphenol PCD SZ**  
**ORIGINAL**  
**PDF Format**  
 09 Dec. 14R&D



**\*Notes:**

Material \ Finish(材质/表面处理)  
 Shells : Aluminum alloy/Olive drab zinc plated  
 外壳: 铝合金/镀绿铬  
 Insert: Thermoplastics UL94-V0  
 绝缘插芯: V0级热塑性塑料

Mechanical data (机械参数):  
 Operating Temperature: -55°C ~ +125°C  
 使用温度: -55°C ~ +125°C  
 IP-Class (防护等级): IP67  
 Durability (机械寿命): 1000 cycles

Electrical data:  
 Test Voltage (耐压) (Vac rms): 3000V  
 Rated Voltage (额定电压) (Vac rms): 500V  
 Rated Current (额定电流): 13A  
 Insulation Resistance (绝缘阻抗): 2000 MΩ Min  
 Contact Resistance (接触电阻): Less than 2.5 milliohms

REV	ECN	DESCRIPTION	DATE	MODIFIED
1		PRE-RELEASE	2014.10.28	C.Z
2		UPDATE	2014.12.09	C.Z

DIMENSIONS	TOLERANCES	PROJECTION
ANSI Y14.5M UNITS: MM QW/ FILE	X ± 0.5 XX ± 0.20 ANGLES ± 0.5°	

TITLE		
Amphenol Pcd Shenzhen		
CHND	APPD	REV
		2

RECEPIVALE ASGTC2A-09
ASGTC-2A-2409-PC-LC-Y 135° 270°
ASGTC-2A-2409-PC-LC-X 135° 240°
P/N Angle A Angle B

ORIGINAL FOR CUSTOMER DISTRIBUTION	THIS DOCUMENT CONTAINS PROPRIETARY INFORMATION WHICH IS THE CONFIDENTIAL PROPERTY OF AMPHENOL PCD SHENZHEN
SIZE A3	DWG NO. ASGTC-2A-2409-PC-LC-XX
SCALE 3:2	REV 2
SHEET 1 OF 1	