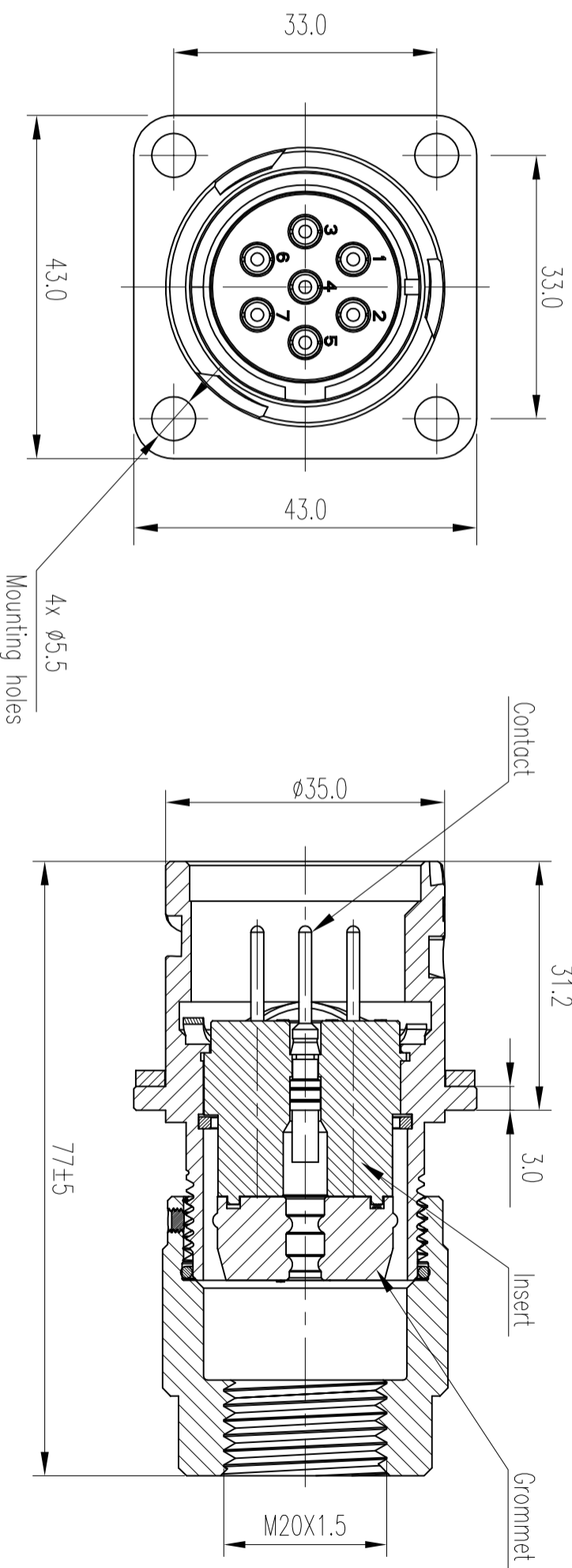
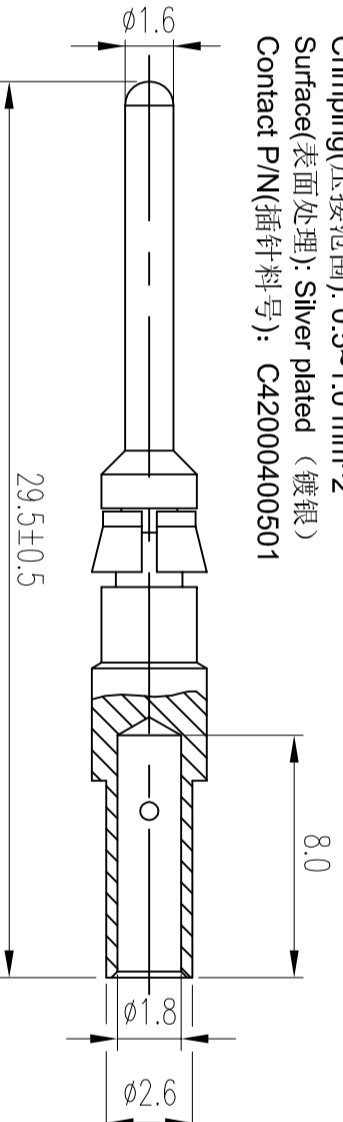


REV	ECN	DESCRIPTION	DATE	MODIFIED
1		PRE-RELEASE	2011.05.24	Wade



***Notes:**
 Detail for contact(插针细节):
 Crimping(压接范围): 0.5~1.0 mm²
 Surface(表面处理): Silver plated (镀银)
 Contact P/N(插针料号): C42000400501



SCALE-3:1

Material \ Finish(材质/表面处理)
 Shells : Aluminum alloy/ Olive drab zinc plated
 外壳: 铝合金/镀绿锌
Insert : Thermoplastics UL94-V0
 绝缘插芯: V0级热塑性塑料
Contact : 7x #16 Socket contacts (0.5~1.0mm²)
 Copper alloy / Silver plated / Crimp type
 插接端子: 7x#16插针端子 (铜合金/镀银/压接式) (0.5~1.0mm²)

Mechanical data (机械参数) :
 Operating Temperature: -55°C ~ +125°C
 使用温度: -55°C ~ +125°C
 IP-Class (防护等级) : IP67
 Durability (机械寿命) : 500 cycles

Electrical data:
 Test Voltage (耐压) (Vac rms): 3000V
 Rated Voltage (额定电压) (Vac rms): 500V
 Rated Current (额定电流) : 13A
 Insulation Resistance (绝缘阻抗) : 2000 MΩ Min
 Contact Resistance (接触电阻) : Less than 2.5 milliohms

DIMENSIONS	TOLERANCES	PROJECTION	TITLE	
ANSI Y14.5M UNITS: MM CAD/ FILE	X XX ANGLES	± 0.5 ±0.10 ±0.5°	Amphenol Pcd Shenzhen	
ORIGINAL FOR CUSTOMER DISTRIBUTION	THIS DOCUMENT CONTAINS PROPRIETARY INFORMATION WHICH IS THE CONFIDENTIAL PROPERTY OF AMPHENOL PCD SHENZHEN		CHKD	SIZE
			ENGR	A3
			APPD	DWG NO.
			CODE:	ASGTCOL-20-07PC-M20
			SCALE	1:1
			SHEET	1 OF 1
			REV	1
			Connector Receptacle	
			20-07 PC	