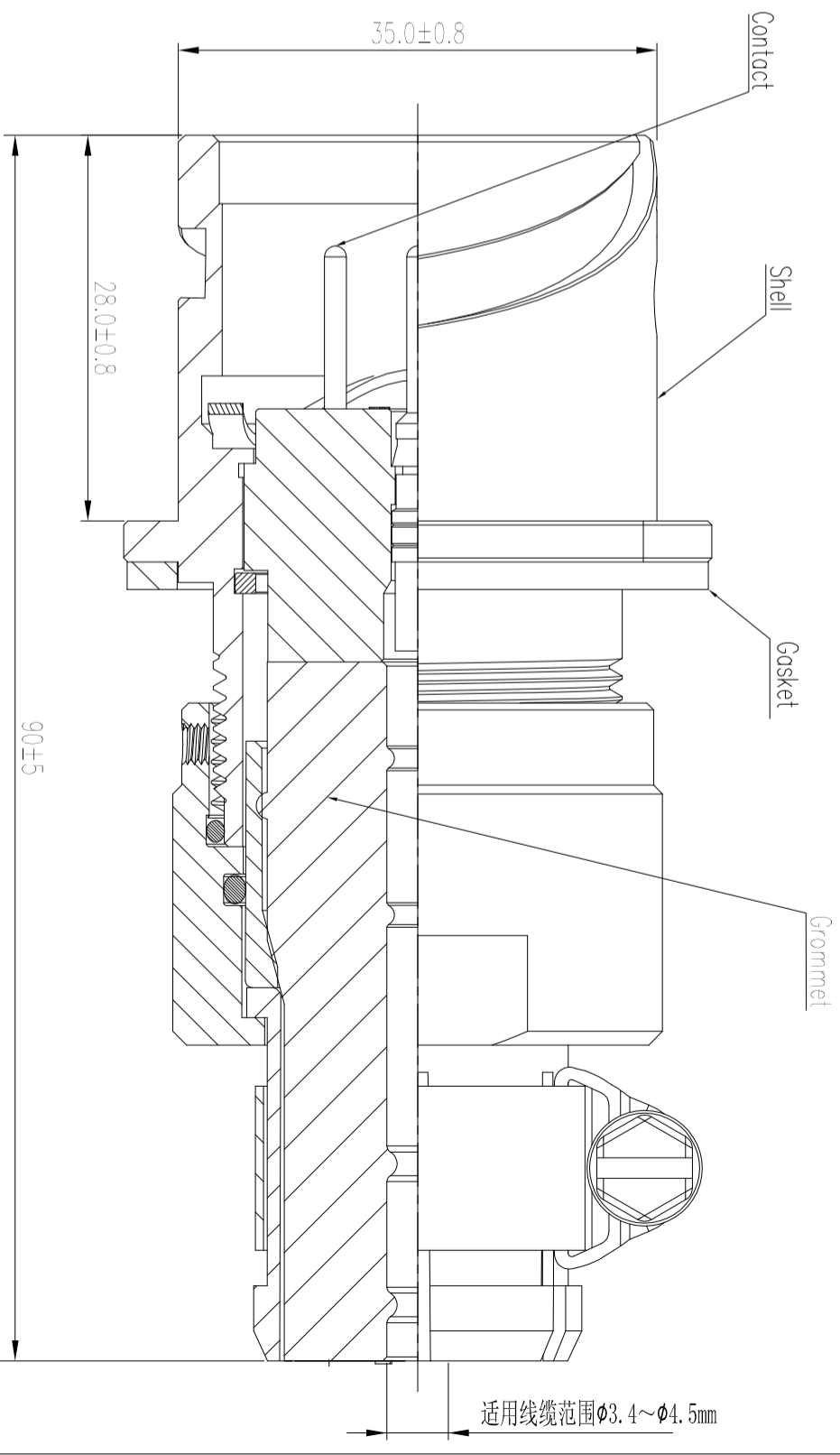
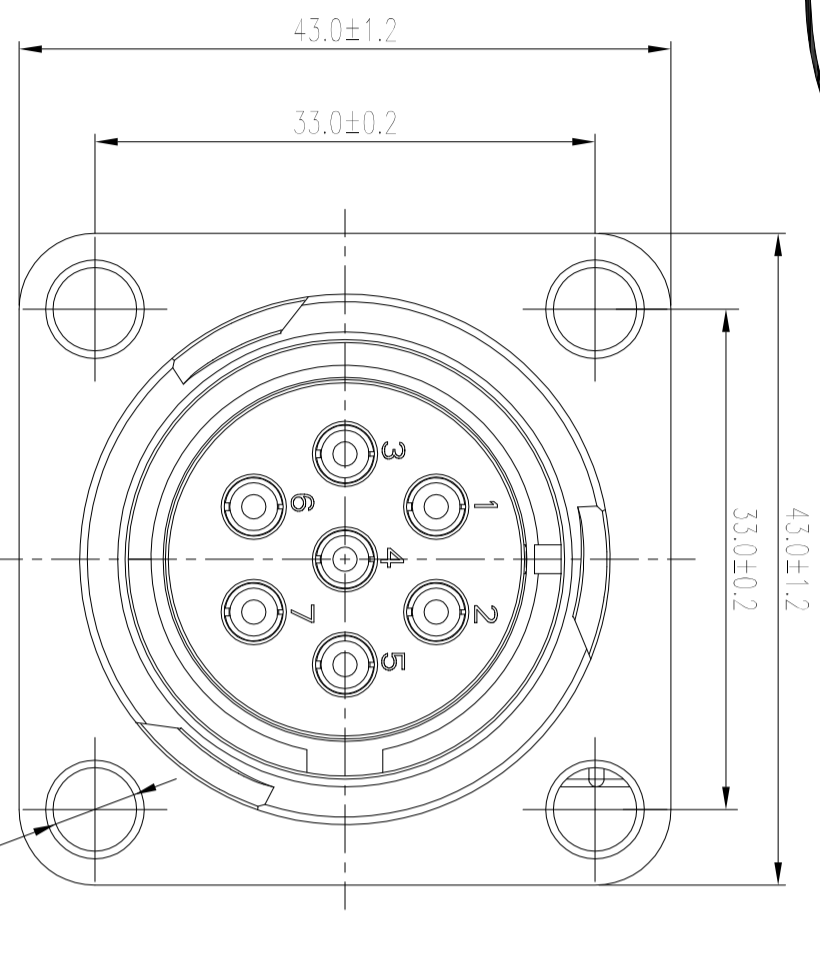


REV	ECN	DESCRIPTION	DATE	MODIFIED
1		PRE-RELEASE	2014.11.11	Orange



**\*Notes:**

**Material \ Finish**

材质\表面处理  
**Shells :** Aluminum alloy/ Olive drab zinc plated  
 外壳: 铝合金\镀军绿锌  
**Insert :** Thermoplastics UL94-V0  
 插芯: 热塑料 UL94-V0  
**Contact :** 7x #16 Pin contact (1.5~2.0mm2)  
 端子: 7X#16公针 (1.5~2.0平方)  
**Copper alloy / Silver plated / crimp type**  
 铜合金/镀银/压接式  
**Grommet(密封橡胶): Silicone(硅胶)**

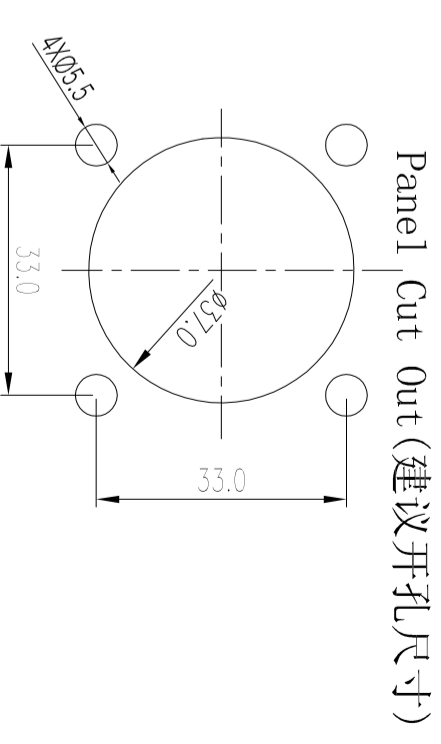
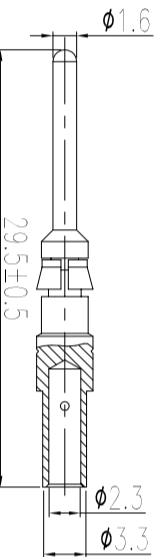
**Mechanical data (机械性能)**

**Operating Temperature (使用温度范围) :** -55°C ~ +125°C  
**IP-Class (防水等级) :** IP67  
**Durability (机械寿命) :** 500 cycles

**Electrical data (电气参数) :**

**Test Voltage (Vac rms) (耐压强度) :** 3000V  
**Rated Current (额定电流) :** 13A  
**Insulation Resistance (绝缘电阻) :** 2000 MΩ/Min  
**Contact Resistance (接触电阻) :** Less than 2.5 milliohms

**Detail for contact(插针细节):**  
**Crimping(压接范围):** 1.5~2.0 mm<sup>2</sup>  
**Surface(表面处理):** Silver plated (镀银)  
**Contact P/N(插针料号):** C42000400502



**RECEPTACLE**

DIMENSIONS	TOLERANCES	PROJECTION	Amphenol Pcd Shenzhen	TITLE
ANSI Y14.5M UNITS: MM CAD/FILE	X XX ANGLES	± 0.5 ±0.10 ±0.5°	ENGR	Panel Cut Out (建议开孔尺寸)
ORIGINAL FOR CUSTOMER DISTRIBUTION	THIS DOCUMENT CONTAINS PROPRIETARY INFORMATION WHICH IS THE CONFIDENTIAL PROPERTY OF AMPHENOL PCD SHENZHEN		CHKD APPD	SIZE A3
			APPD	DWG NO. ASGTC-0L-2007-PC02-LF
			SCALE 1:1	REV 1
			SHEET 1	OF 1