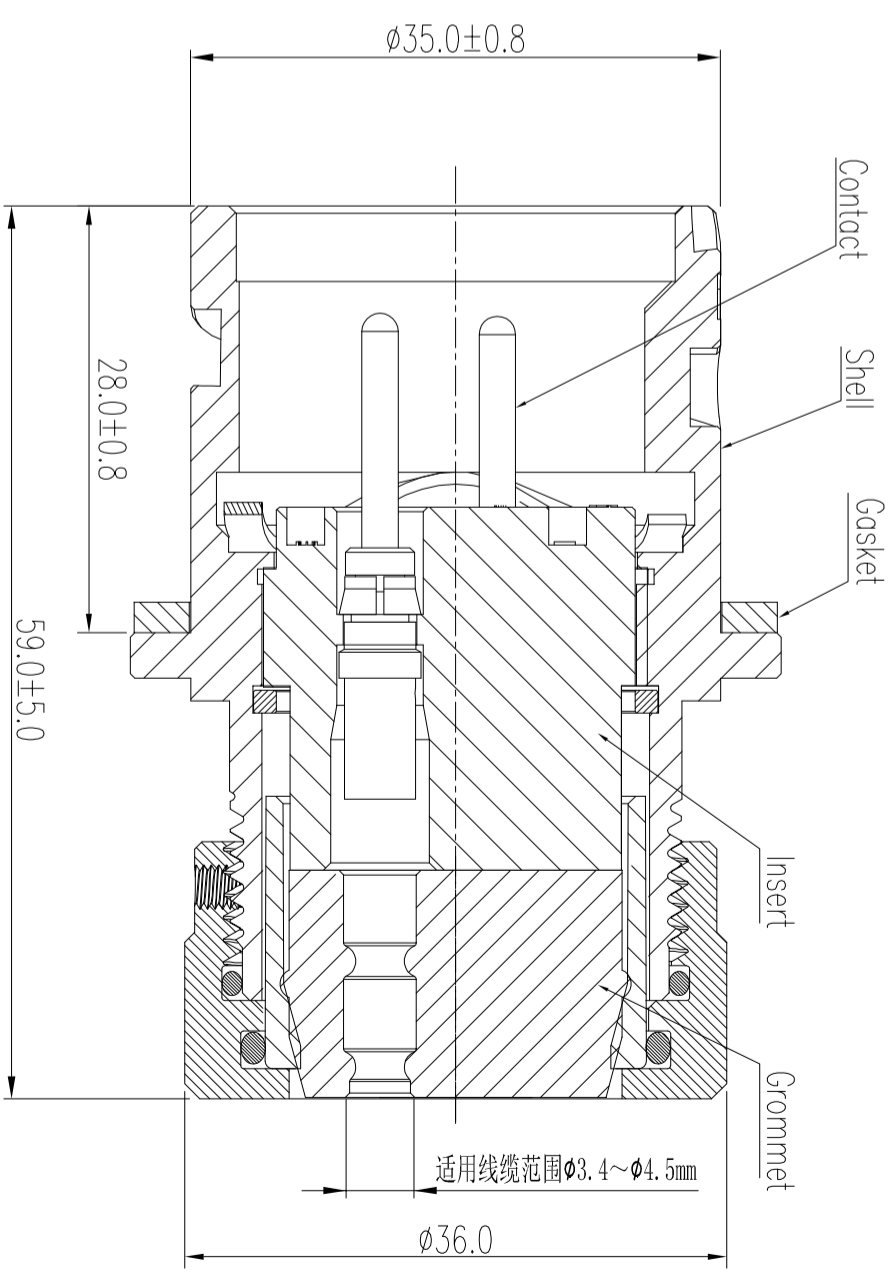
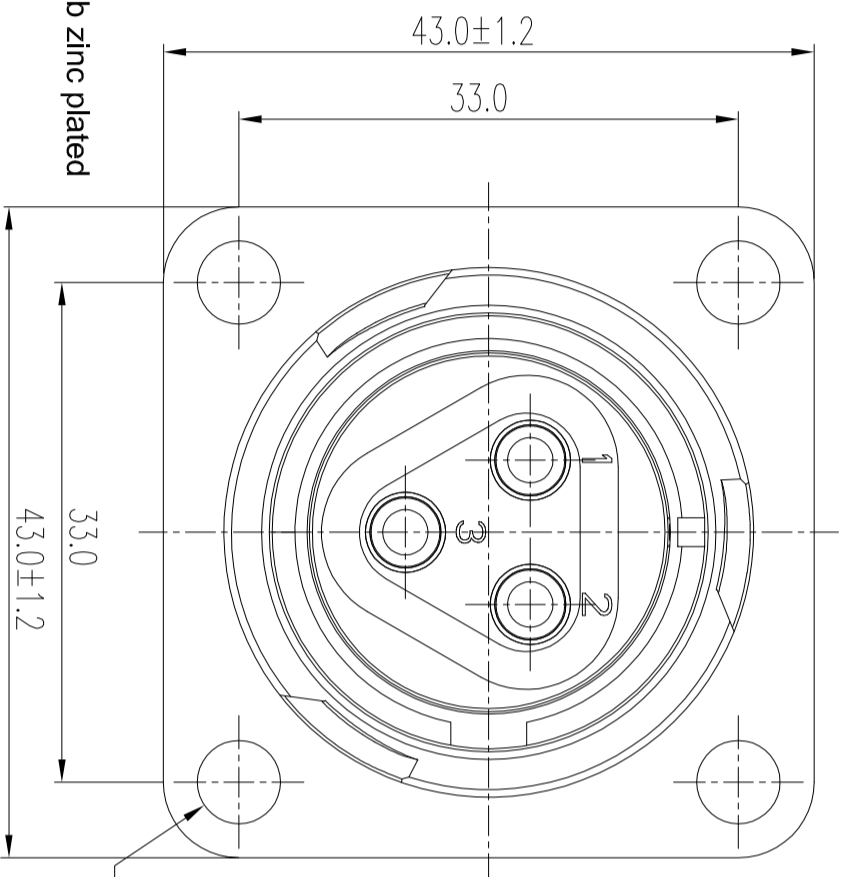


REV	ECN	DESCRIPTION	DATE	MODIFIED
1		PRE-RELEASE	0.20u	2016.03.15



***Notes:**

Material \ Finish

材料\表面处理

外壳: 铝合金/镀绿锌

Insert: Thermoplastics UL94-V0

插芯: 热塑性材料 UL94-V0

Contact: 3x 12# Pin contacts

端子: 3x12#公针

GASKET: Rubber

密封垫: 橡胶

Mechanical data

机械性能

Operating Temperature: -55°C ~ +125°C

使用温度: -55°C ~ +125°C

IP-Class: IP67

防水等级: IP67

Durability: 1000 cycles

使用寿命: 至少1000次

Electrical data:

电气性能

Voltage: 500V (AC)@OV3 and PD3

额定电压: 500V (AC) @OV3 and PD3

Rated Current: 23A MAX.

额定电流: 23A MAX.

Insulation Resistance: 5000 MΩ Min

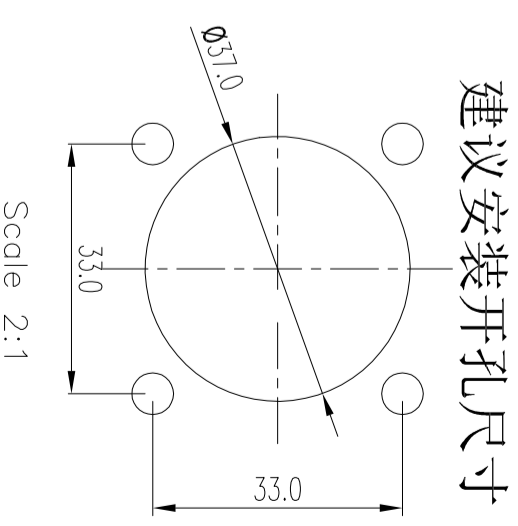
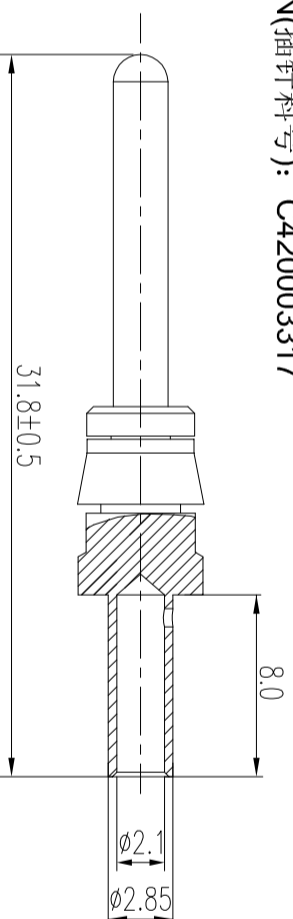
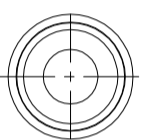
绝缘阻抗: 至少5000兆欧

Contact Resistance: Less than 1.3 milliohms

接触电阻: 不超过1.3毫欧

接触电阻: 不超过1.3毫欧

Detail for contact(插针细节):
 Crimping(压接范围): 1.0~1.5 mm²
 Surface(表面处理): Silver plated (镀银)
 Contact P/N(插针料号): C420003317



Connector Receptacle

20-03 SC

DIMENSIONS	TOLERANCES	PROJECTION	TITLE
ANSI: Y14.5M UNITS: MM CAD/FILE	X XX ANGLES	± 0.5 ± 0.10 ± 0.5°	Amphenol Pcd Shenzhen
ORIGINAL FOR CUSTOMER DISTRIBUTION	THIS DOCUMENT CONTAINS PROPRIETARY INFORMATION WHICH IS THE CONFIDENTIAL PROPERTY OF AMPHENOL PCD SHENZHEN		CHKD APPD
			SIZE A3
			DWG NO. ASGTC-0L-2003-PC01
			SCALE 2:1
			SHEET 1 OF 1
			REV 1