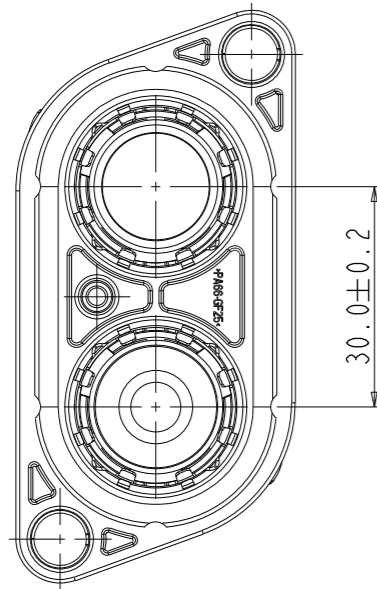
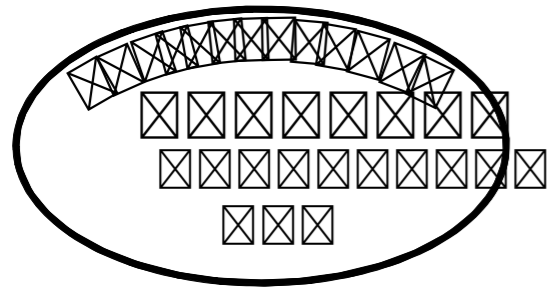
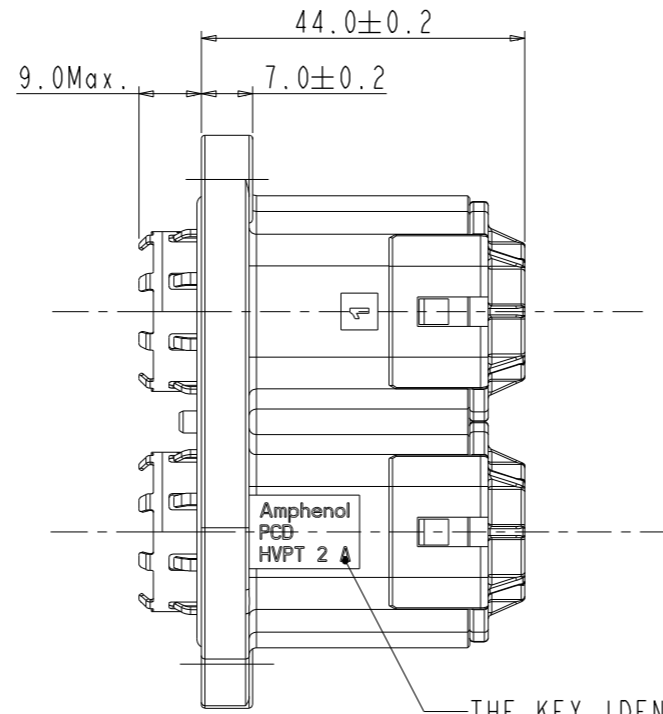


REV	ECN	DESCRIPTION	DATE	MODIFIED
6	R3242N	ADD KEY B AND UPDATE TECHNICAL DATA	2019.04.23	



30.0±0.2



44.0±0.2

7.0±0.2

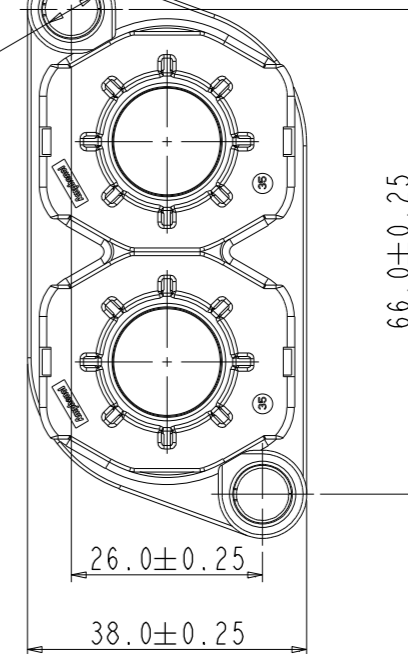
9.0Max.

Amphenol  
PCB  
HVPT 2

THE KEY IDENTIFYING

2XØ7.1±0.25

M6 SCREW AND WASHER  
APPLICABLE

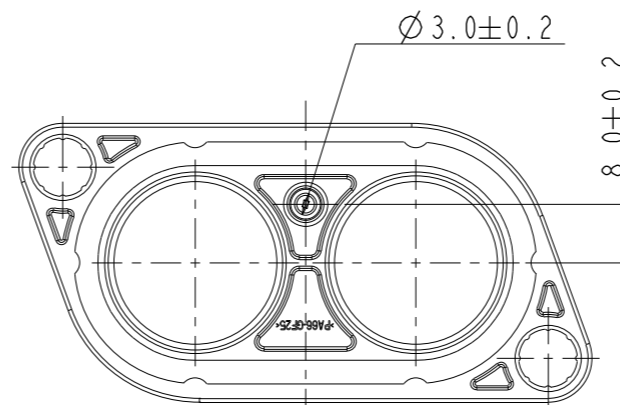


66.0±0.25

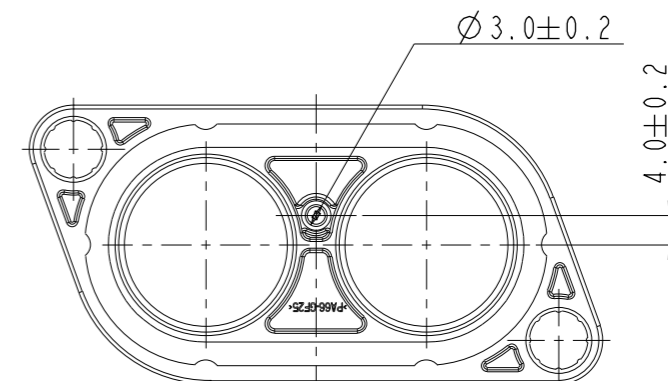
26.0±0.25

38.0±0.25

安费诺精密连接器(深圳)有限公司  
Amphenol PCD Shenzhen  
受控文件  
2019年5月28日



KEY A:HVPT2A



KEY B:HVPT2B

HVPT 2 X XX

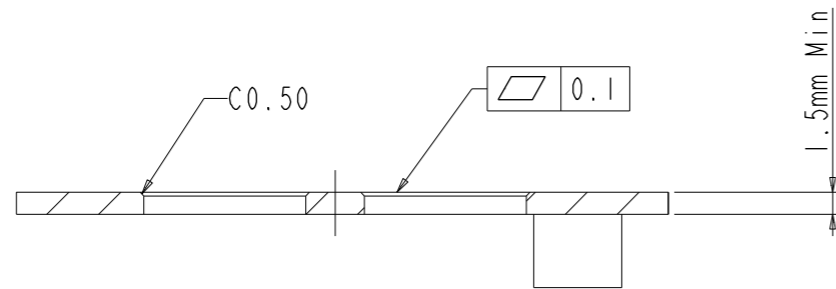
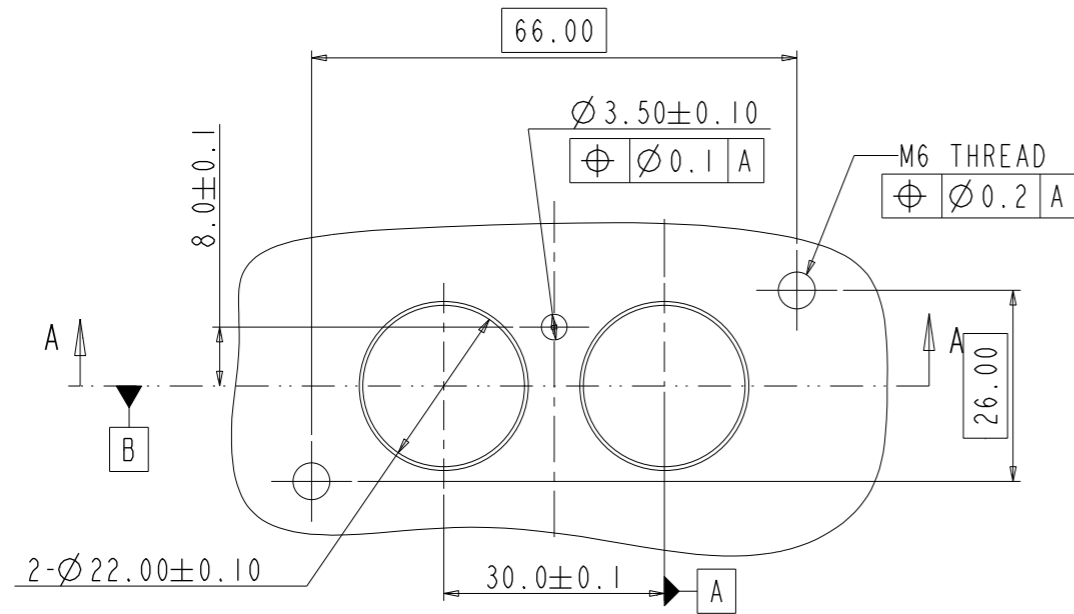
A: KEY A  
B: KEY B

25: FOR 25mm<sup>2</sup> Shielded WIRE;OD=11.9±0.4mm  
35: FOR 35mm<sup>2</sup> Shielded WIRE;OD=14.2±0.4mm  
50: FOR 50mm<sup>2</sup> Shielded WIRE;OD=16.5±0.4mm  
70: FOR 70mm<sup>2</sup> Shielded WIRE;OD=19.0±0.4mm

TECHNICAL DATA	
OPERATING TEMPERATURE	-40 ~ 125 °C
SHIELDING	YES
WATERPROOF(MATED CONDITION)	IP67&IP69K
AMBIENT TEMPERATURE	-40 ~ 70 °C

DIMENSIONS	TOLERANCES	PROJECTION	TITLE		
ANSI Y14.5M UNITS: MM Pro/E FILE	.X ±0.5 .XX ±0.05 ANGLES ±0.5°		HVPT 2X PASS-THRU CABLE SEAL GLAND		
ORIGINAL	THIS DOCUMENT CONTAINS PROPRIETARY INFORMATION WHICH IS THE CONFIDENTIAL PROPERTY OF AMPHENOL PCD SHENZHEN	ENGR Apr-08-16			
			CHKD	CODE: 58982	SCALE: 1:1
		APPD			

KEY A



SECTION A-A

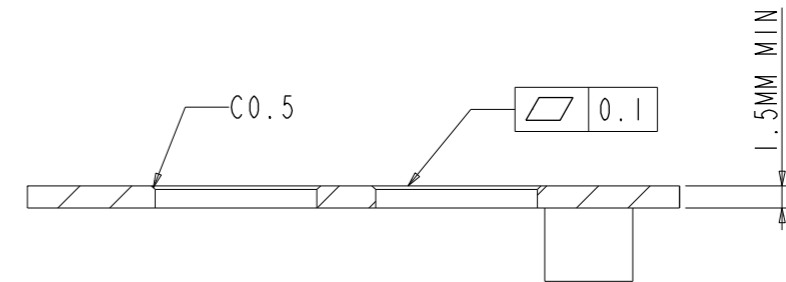
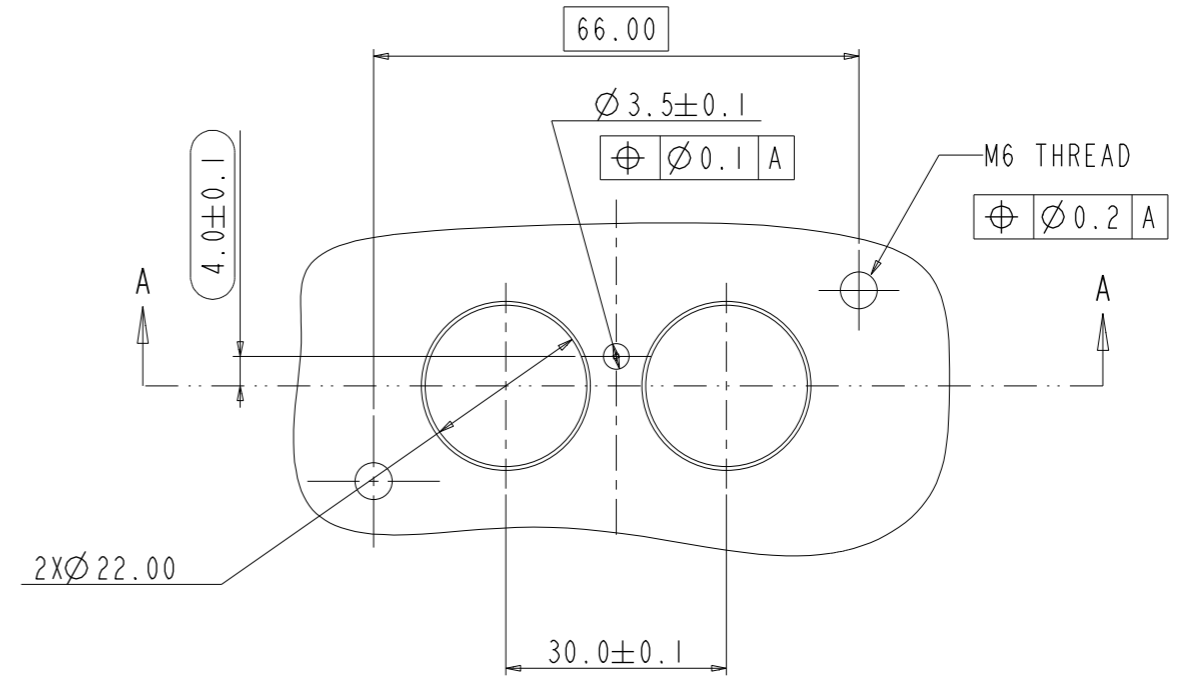
PANNEL DRAWING

安费诺精密连接器(深圳)有限公司  
Amphenol PCD Shenzhen

受控文件

2019年5月28日

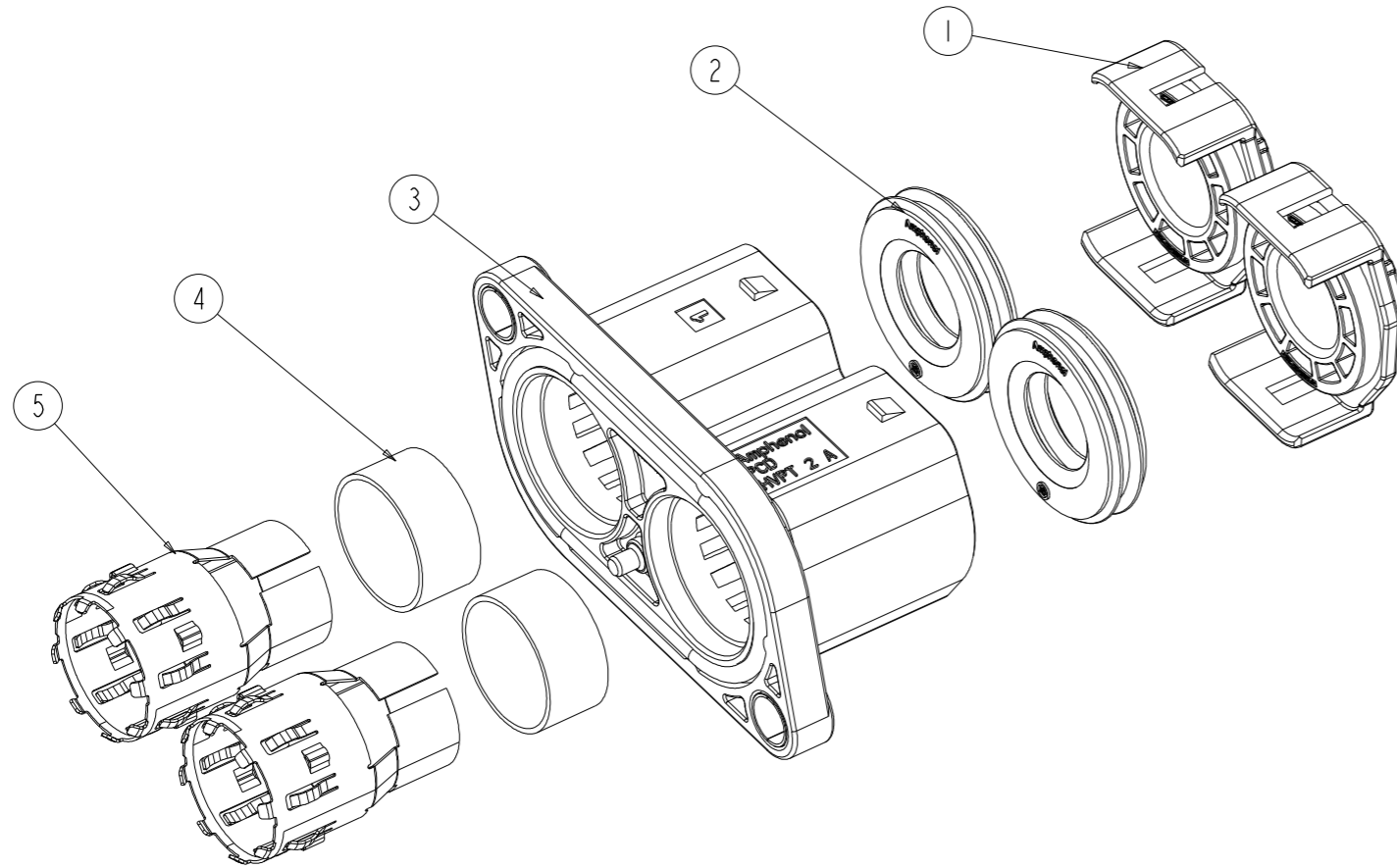
KEY B



SECTION A-A

PANNEL DRAWING

SIZE <b>A3</b>	DWG NO. <b>C-HVPT2XXX</b>	REV <b>6</b>
CODE: 58982	SCALE: 1:1	SHEET 2 OF 3



HVPT2A25	5	C310003642	2	SHIELDING
	4	C2000036633	2	OUT FERRULE
	3	HVPT2A	1	HOUSING
	2	C2700036043	2	CABLE SEAL
	1	C2200037253	2	BACK CAP
ITEM	P/N	QTY	DESCRIPTION	

HVPT2B25	5	C310003642	2	SHIELDING
	4	C2000036633	2	OUT FERRULE
	3	HVPT2B	1	HOUSING
	2	C2700036043	2	CABLE SEAL
	1	C2200037253	2	BACK CAP
ITEM	P/N	QTY	DESCRIPTION	

HVPT2A35	5	C310003643	2	SHIELDING
	4	C2000036632	2	OUT FERRULE
	3	HVPT2A	1	HOUSING
	2	C2700036042	2	CABLE SEAL
	1	C2200037252	2	BACK CAP
ITEM	P/N	QTY	DESCRIPTION	

HVPT2B35	5	C310003643	2	SHIELDING
	4	C2000036632	2	OUT FERRULE
	3	HVPT2B	1	HOUSING
	2	C2700036042	2	CABLE SEAL
	1	C2200037252	2	BACK CAP
ITEM	P/N	QTY	DESCRIPTION	

HVPT2A50	5	C310003644	2	SHIELDING
	4	C2000036631	2	OUT FERRULE
	3	HVPT2A	1	HOUSING
	2	C2700036041	2	CABLE SEAL
	1	C2200037251	2	BACK CAP
ITEM	P/N	QTY	DESCRIPTION	

HVPT2B50	5	C310003644	2	SHIELDING
	4	C2000036631	2	OUT FERRULE
	3	HVPT2B	1	HOUSING
	2	C2700036044	2	CABLE SEAL
	1	C2200037251	2	BACK CAP
ITEM	P/N	QTY	DESCRIPTION	

HVPT2A70	5	C310003645	2	SHIELDING
	4	C2000036630	2	OUT FERRULE
	3	HVPT2A	1	HOUSING
	2	C2700036044	2	CABLE SEAL
	1	C2200037254	2	BACK CAP
ITEM	P/N	QTY	DESCRIPTION	

HVPT2B70	5	C310003645	2	SHIELDING
	4	C2000036630	2	OUT FERRULE
	3	HVPT2B	1	HOUSING
	2	C2700036044	2	CABLE SEAL
	1	C2200037254	2	BACK CAP
ITEM	P/N	QTY	DESCRIPTION	

C-HVPT2XXX

C-HVPT2XXX

安费诺精密连接器(深圳)有限公司  
Amphenol PCD Shenzhen

受控文件

2019年5月28日

SIZE	DWG NO.	REV
A3	C-HVPT2XXX	6
CODE: 58982	SCALE: 1:1	SHEET 3 OF 3