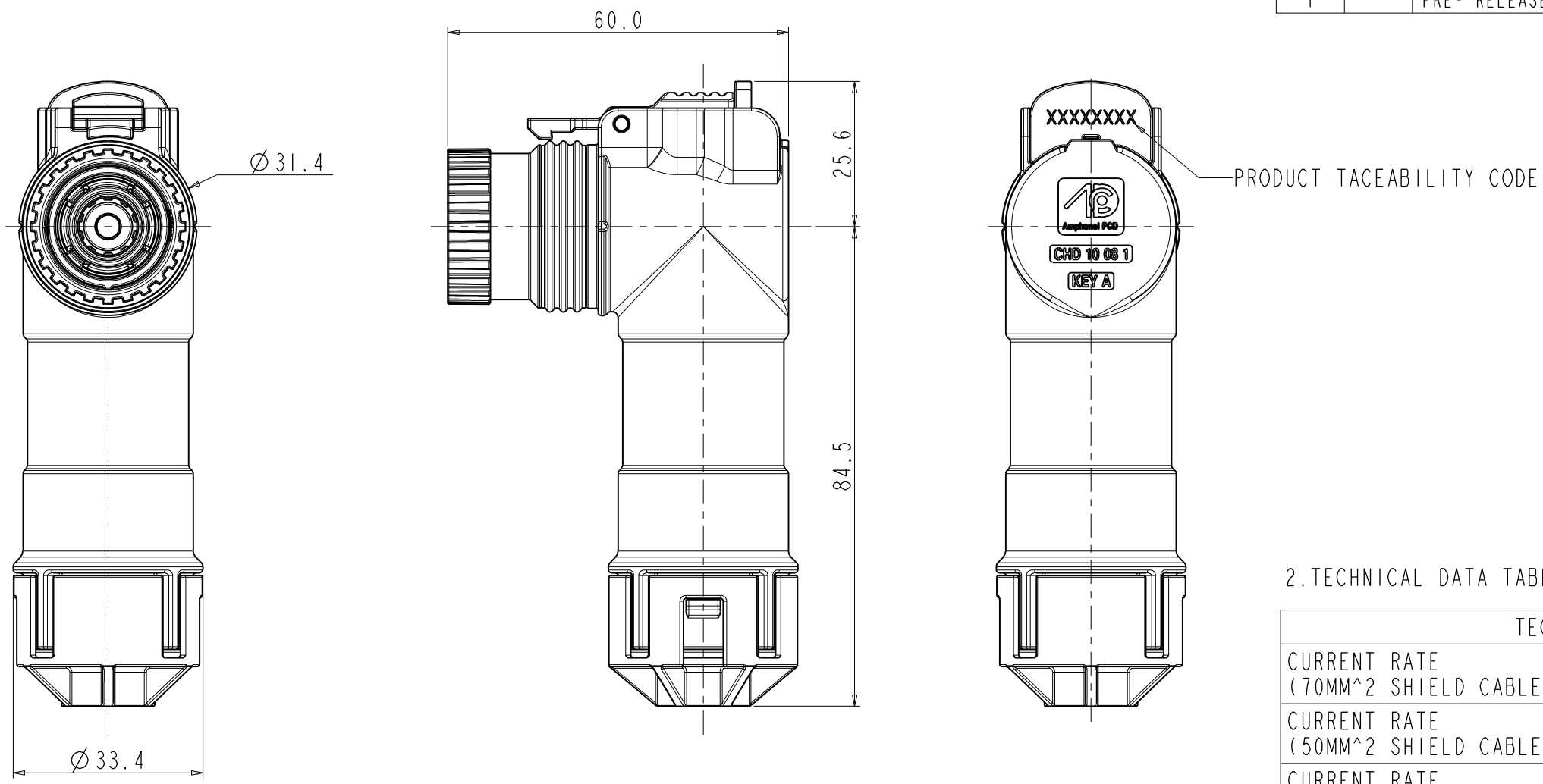


Amphenol PCDSZ  
ORIGINAL  
PDF Format  
R&D

REV	ECN	DESCRIPTION	DATE	MODIFIED
1		PRE-RELEASE	Sept-20-2023	



安费诺精密连接器(深圳)有限公司  
Amphenol PCD Shenzhen  
受控文件  
2023年9月27日

2. TECHNICAL DATA TABLE

TECHNICAL DATA		
CURRENT RATE (70MM <sup>2</sup> SHIELD CABLE)	250A @ AMBIENT 70°C	+
CURRENT RATE (50MM <sup>2</sup> SHIELD CABLE)	200A @ AMBIENT 70	+
CURRENT RATE (35MM <sup>2</sup> SHIELD CABLE)	150A @ AMBIENT 70	+
RATING VOLTAGE (OVERVOLTAGE CATEGORY II POLLUTION DEGREE 2)	1500V DC	+
OPERATING TEMPERATURE	-40~125°C	
DIELECTRIC WITHSTANDING VOLTAGE	4000V AC(RMS)	+
INSULATION RESISTANCE	200M $\Omega$ MIN.@25	+
DURABILITY	50 CYCLES	⊙
SHIELDING	YES	
WATERPROOF (MATED CONDITION)	IP67, IP6K9K	+
PROTECTION LEVEL (UNMATED)	IP2XB	+
AMBIENT TEMPERATURE	-40~70°C	
RoHS&REACH	YES	+

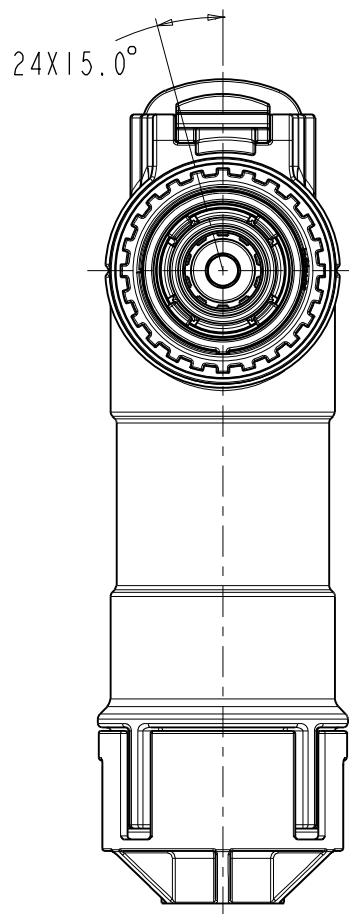
NOTES:  
1. MATERIAL & FINISH:  
BODY: ALUMINUM ALLOY, PASSIVATION SALT SPRAY MEETS 500H.  
POWER CONTACT: COPPER ALLOY SILVER & TIN PLATED  
HVIL CONTACTS: COPPER ALLOY TIN PLATED  
SEAL RING: SR

+ : CRITICAL CHARACTERISTICS / 关键特性  
⊙ : IMPORTANT CHARACTERISTICS / 重要特性

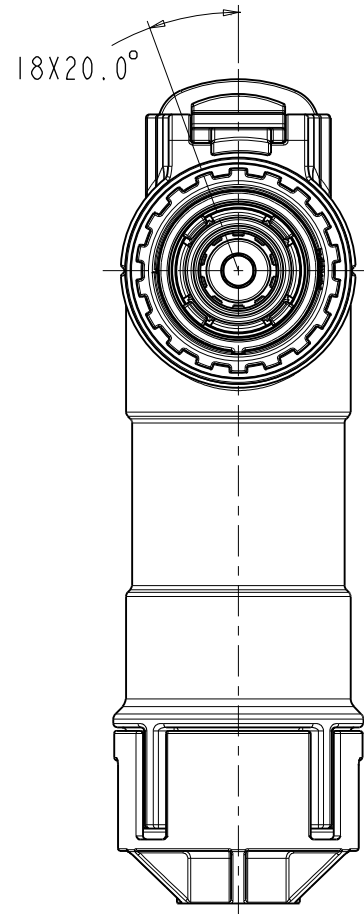
DIMENSIONS	TOLERANCES	PROJECTION	TITLE		
ANSI Y14.5M UNITS: MM Pro/E FILE	.X ±0.5 .XX ±0.05 ANGLES ±2°		CHD10 0 8 1 X X XX RA PLUG ASSEMBLY		
ORIGINAL	THIS DOCUMENT CONTAINS PROPRIETARY INFORMATION WHICH IS THE CONFIDENTIAL PROPERTY OF Amphenol PCD Shenzhen Co. Ltd Amphenol PCD Shenzhen Co. Ltd RESERVES THE RIGHT TO CLARIFY THIS DRAWING	CHKD	SIZE	DWG NO.	REV
		ENGR	A3	C-CHD10081X1XX	1
		APPD	SCALE: 1:2		SHEET 1 OF 3

C-CHD10081X1XX

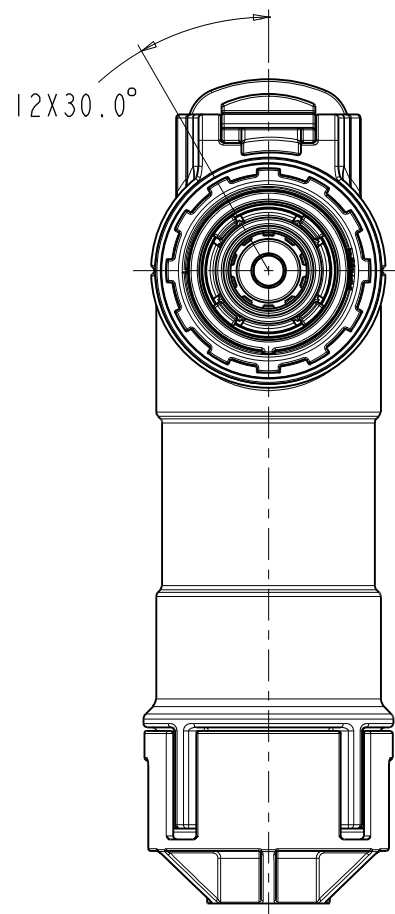
C-CHD10081X1XX



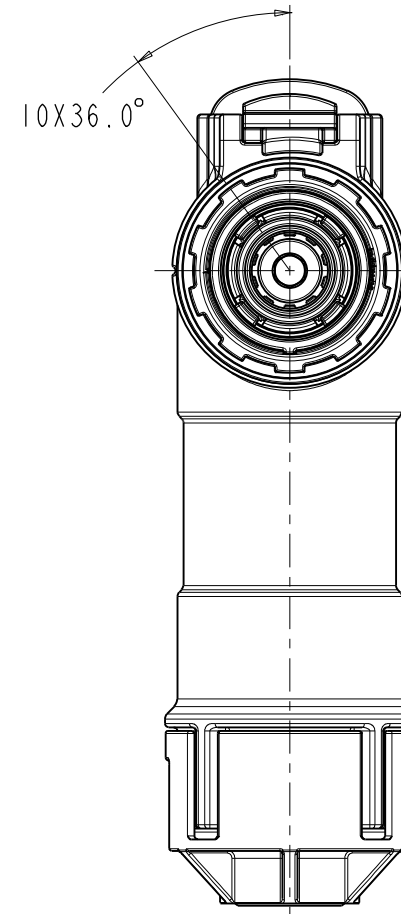
KEY A



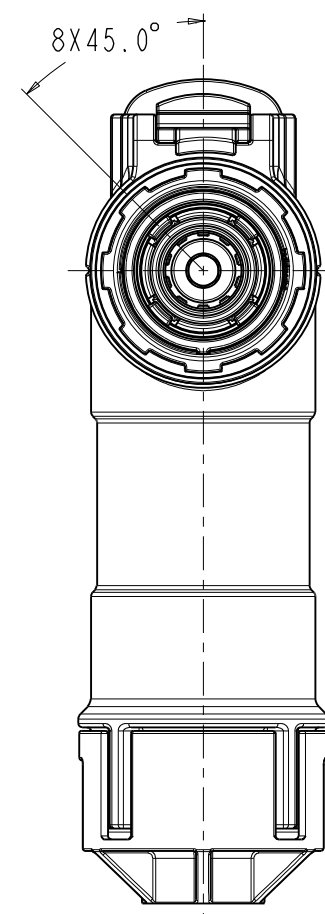
KEY B



KEY C



KEY D

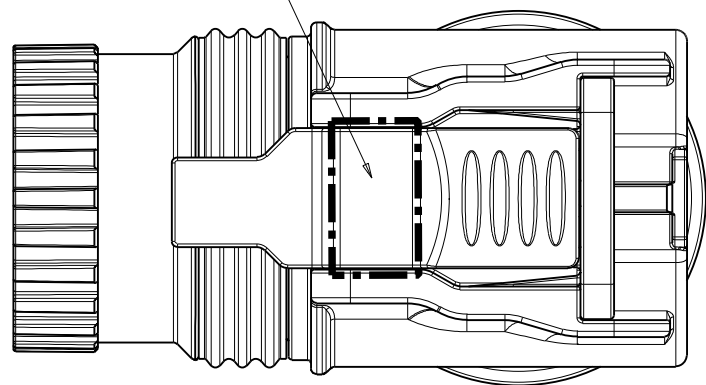


KEY E

C-CHD10081X1XX

C-CHD10081X1XX

COLOR RECOGNITION AREA



安费诺精密连接器(深圳)有限公司  
Amphenol PCD Shenzhen

---

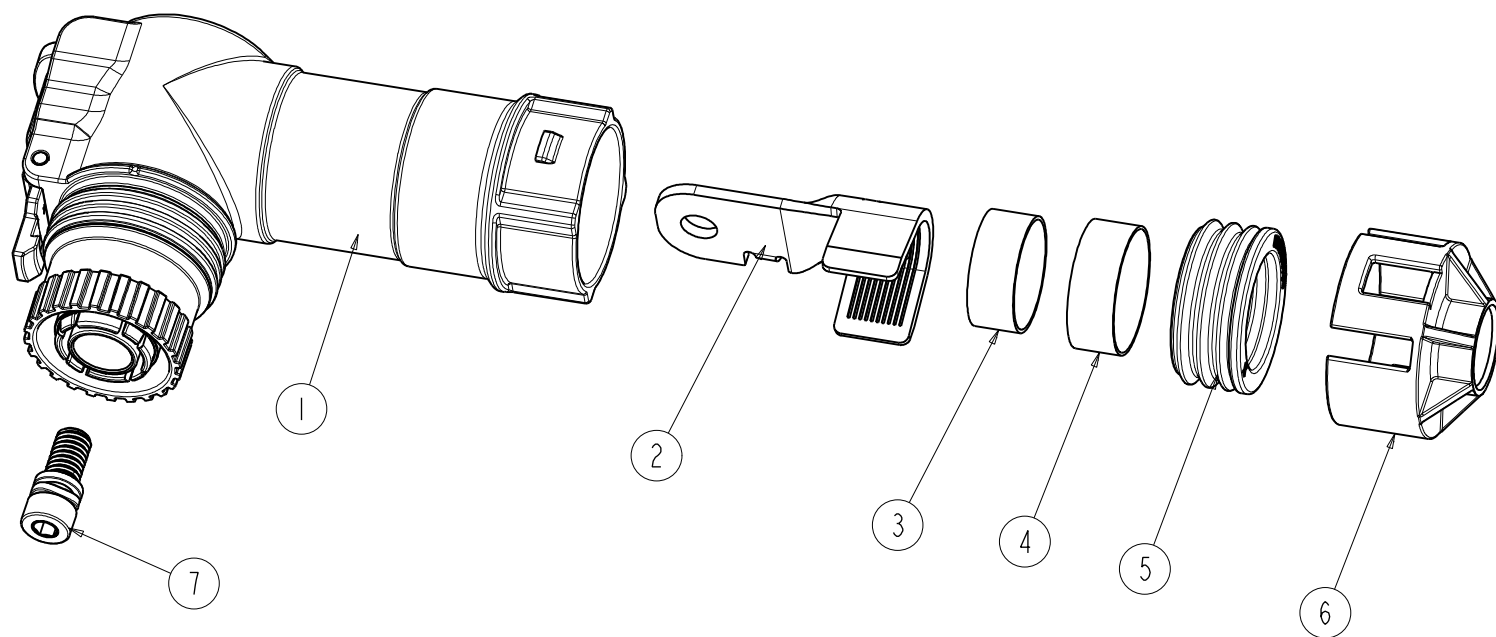
受 控 文 件

---

2023年9月27日

SIZE	DWG NO.	REV
A3	C-CHD10081X1XX	1
SCALE: 1:2		SHEET 2 OF 3

3. PART NUMBERING SCHEME :



7	P01BN00628	M6 SCREW	1
6	SEE TABLE 2	END CAP	1
5	SEE TABLE 2	CABLE SEALING	1
4	SEE TABLE 2	OUTER SHIELD RING	1
3	SEE TABLE 2	INNER SHIELD RING	1
2	P01BS0037002	50~35MM <sup>2</sup> POWER PIN(PURCHASE SEPARATELY)	1
	P01BS0037001	70MM <sup>2</sup> POWER PIN(PURCHASE SEPARATELY)	1
1	SEE TABLE 1	MAIN BODY	1
ITEM	COMPONENT P/N	DESCRIPTION	Q'TY

CHD 10 08 1 X 1 XX

SERIES CODE

TERMINAL SPECIFICATIONS

STRAIGHT PLUG

SINGLE PIN

KEY & COLOR CODE:

TABLE 1		
CODE	DESCRIPTION	I# MAIN BODY & WITH HVIL
A	KEY A, RED	P02B00054201
B	KEY B, BLACK	P02B00054202
C	KEY C, YELLOW	P02B00054203
D	KEY D, GREEN	P02B00054204
E	KEY E, BLUE	P02B00054205

INTERLOCK CODE:

CODE	DESCRIPTION
I	WITH HVIL

安费诺精密连接器(深圳)有限公司  
Amphenol PCD Shenzhen

受控文件

2023年9月27日

CABLE SIZE OPTION:

TABLE 2					
CODE	DESCRIPTION	3# INNER SHIELD RING	4# 配件料号 OUTER SHIELD RING	5# CABLE SEALING	6# END CAP
01	70mm <sup>2</sup> (LV216) WIRE OD=17.8±0.4mm	P01BM00641	P01BM00640	P01BR00704	P01BP0092301
02	50mm <sup>2</sup> (LV216) WIRE OD=15.5±0.3mm	P01BM00614	P01BM00613	P01BR00705	P01BP0092302
03	70mm <sup>2</sup> (H&S) WIRE OD=17.0±0.3mm	P01BM02131	P01BM02132	P01BR00706	P01BP0092303
04	50mm <sup>2</sup> (H&S) WIRE OD=14.9±0.3mm	P01BM02133	P01BM02134	P01BR01029	P01BP0092304
05	35mm <sup>2</sup> (H&S) WIRE OD=12.7±0.3mm	P01BM02135	P01BM02136	P01BR01030	P01BP0092305

SIZE <b>A3</b>	DWG NO. <b>C-CHD10081X1XX</b>	REV <b>1</b>
SCALE: 1:2		SHEET 3 OF 3