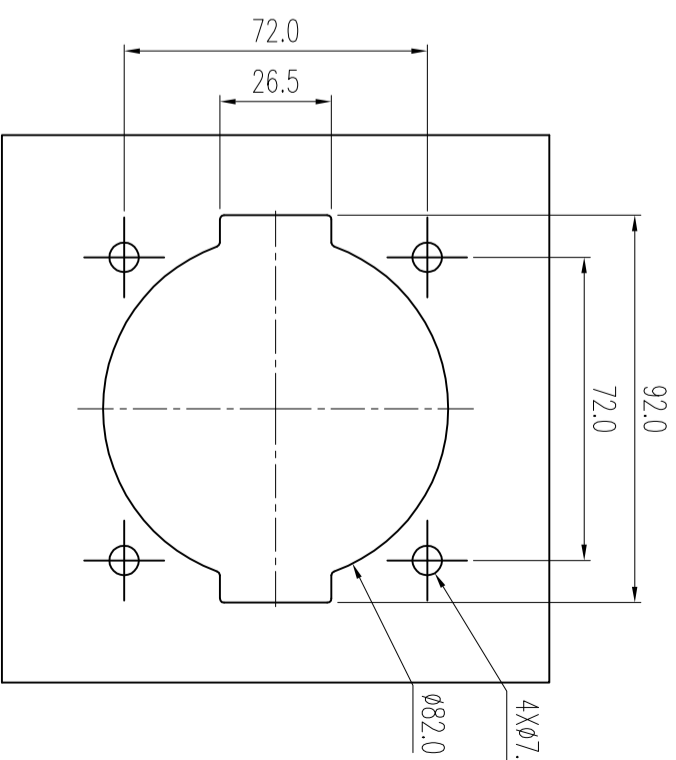
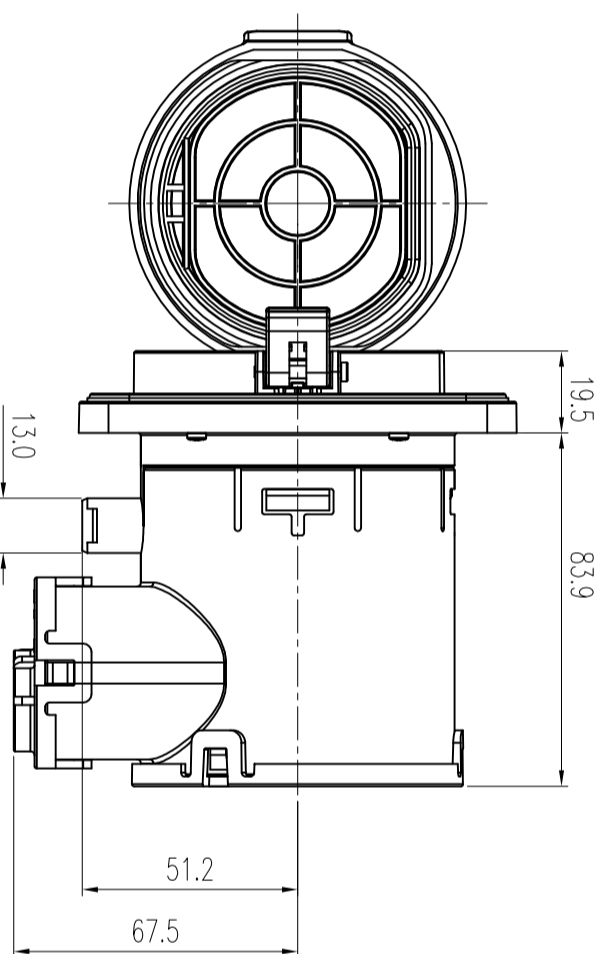
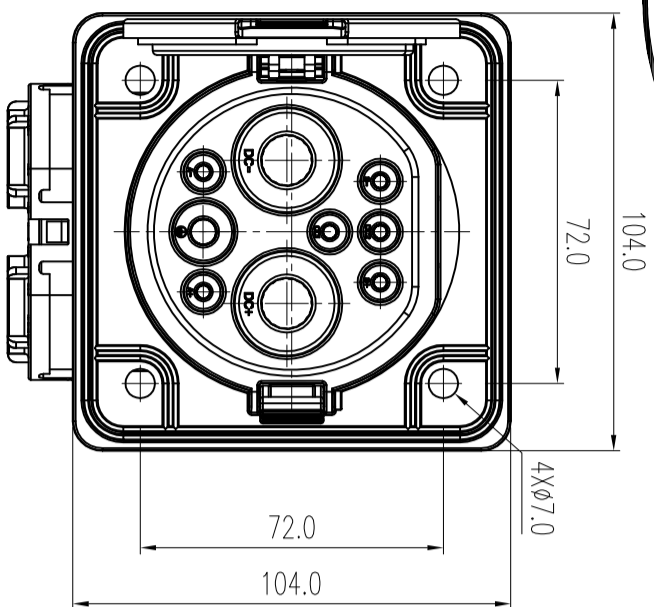


Amphenol PCD SZ
ORIGINAL
PDF Format



REAR MOUNTING
RECOMMENDED OPENING SIZE
PANEL THICKNESS H=1.5 TO 3.0MM

C-HVCO02R12SF970RDL0000

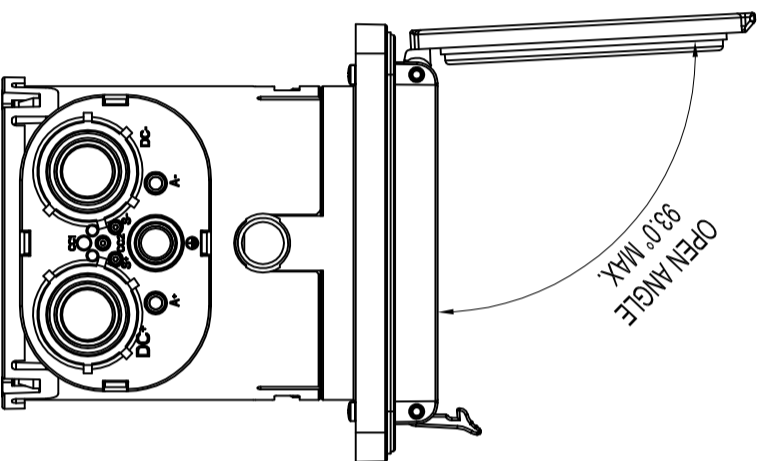
C-HVCO02R12SF970RDL0000

REV	ECN	DESCRIPTION	DATE	MODIFIED
1		FIRST-RELEASE	12/24/2021	

C-HVCO02R12SF970RDL0000

CABLE CONNECT METHOD

- (DC+) 70mm² Shielding(ORANGE)
TR29,NTC THERMISTOR IS FIXED ON THIS TERMINAL. (DC+)
- (DC-) 70mm² Shielding(ORANGE)
TR29,NTC THERMISTOR IS FIXED ON THIS TERMINAL. (DC-)
- (PE) 25mm²(YELLOW/GREEN)
- CAN_H (S+) 0.75mm²(red)
- CAN_L (S-) 0.75mm²(BLACK) [R=1000Ω(terminal wiring)]
- (CC1) 0.75mm²(RED)
- (CC2) 0.75mm²(BLACK)
- (A+) 4.0mm²(RED)
- (A-) 4.0mm²(BLACK)



- NOTES:
1. TECHNOLOGY SPECIFICATION:
- 1.1 AMBIENT TEMPERATURE -30°C-50°C.
 - 1.2 OPERATING VOLTAGE&RATE CURRENT:
 - 1.2.1 DC+: 750V/1000V DC 200A
 - 1.2.2 DC-: 750V/1000V DC 200A
 - 2.3 PE: ground/earth
 - 2.4 S+: 30V/2A
 - 2.5 S-: 30V/2A
 - 2.6 CC1:30V/2A
 - 2.7 CC2:30V/2A
 - 2.8 A+: 30V/20A
 - 2.9 A-: 30V/20A
- 1.3 TEMPERATURE SENSOR CONFIGURATION:TR29,NTC.
2. STANDARD:GB/T20234.1-2015;GB/T20234.3-2015.

TECHNICAL DATA	
ELECTRIC STRENGTH	3000V
ISULATION RESISTANCE	>100MΩ
TYPE OF SENSOR	TR29,NTC
URABILITY	>10000CYCLES
CLASS	IP55
DESCRIPTION	SPECIFICATION CHARACTERISTIC

DIMENSIONS	TOLERANCES	PROJECTION
ANSI Y14.5M UNITS: MM CAD FILE	.X .XX ANGLES ± 2°	

TITLE	
Amphenol PCD Shenzhen	
CHKD	ENGR
APPD	
SIZE A3	DWG NO. C-HVCO02R12SF970RDL0000
SCALE 1:1	SHEET 1 OF 1
REV 1	

90° OUTLET OF DC SOCKET 200A

受控文件

2021年12月29日

安费诺精密连接器(深圳)有限公司
Amphenol PCD Shenzhen