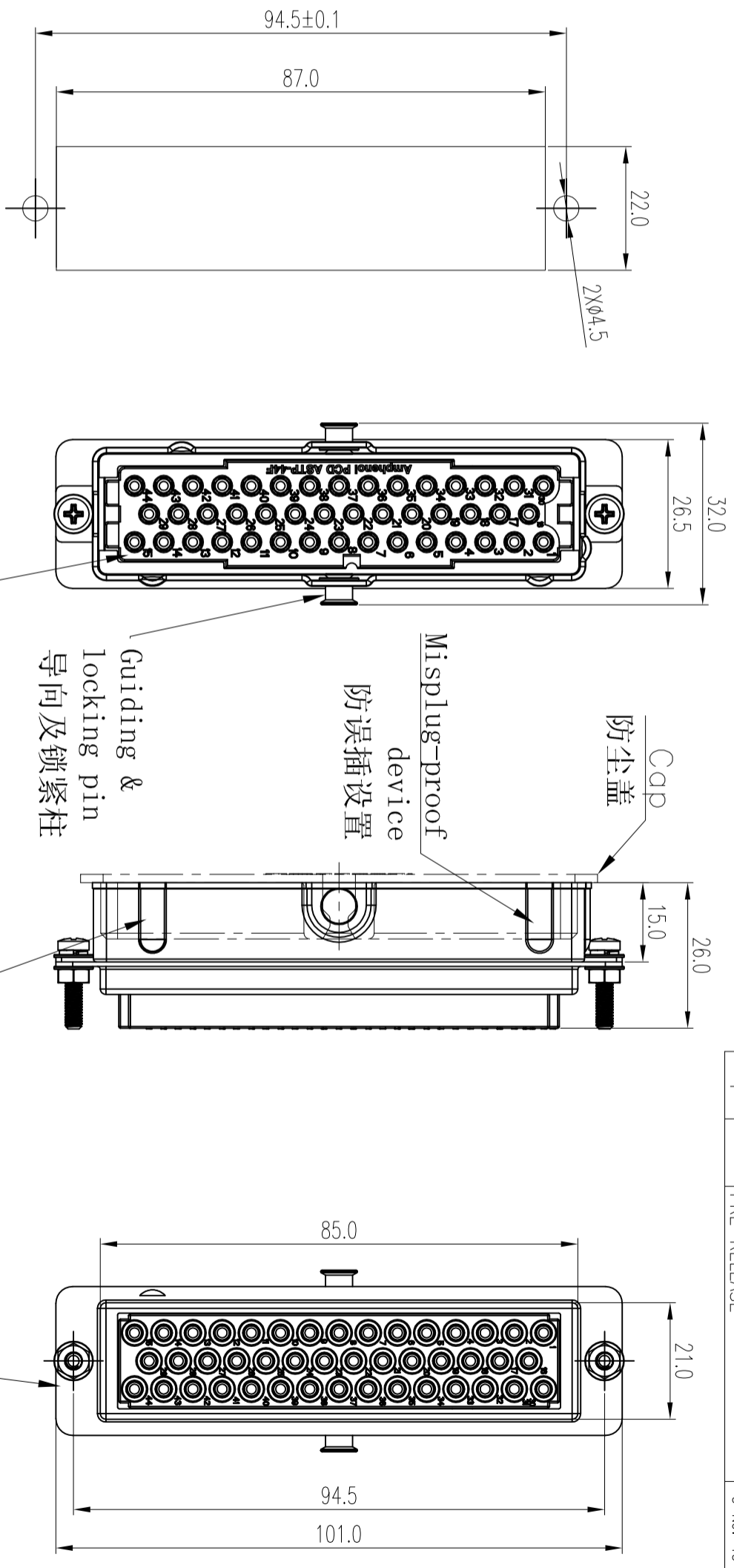
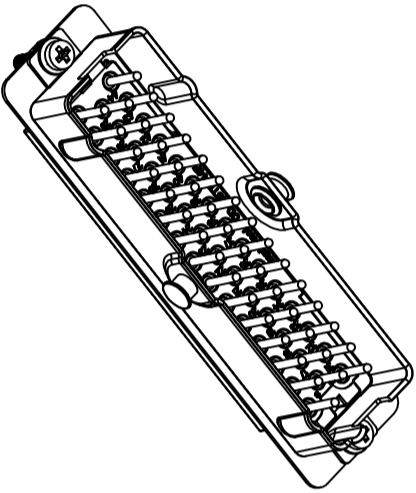


CTP44104PLD1SV

REV	ECN	DESCRIPTION	DATE	MODIFIED
1		PRE-RELEASE	3-Nov-15	Wade Liu



推荐安装尺寸



ASTP440144PLC

ASTP440144PLC

*TECHNICAL PARAMETERS
技术参数

Material & Finish /材质及表面处理
Shell : SPCC, 表面镀锌
外壳: SPCC, 表面镀锌
Insert : Thermoplastic plastic, UL94-V0
插芯: 热塑性塑胶; UL94-V0级阻燃
Contact: Copper alloy, Gold plating(Order separately)
端子: 铜合金, 表面镀金(单独订购)
Grommet/Rubber: Silicone
胶塞: 硅胶

Mechanical/Environment data /机械环境参数
Operating Temperature: -55°C ~ +125°C
操作温度: -55°C ~ +125°C
Durability: 750 cycles
插拔寿命: 750次
Contact Type: Crimping
端子型式: 压接式
Vibration&shock:
GB/T 21563-2008(IEC61373, 1999) I类B级
Salt spray: 48H
盐雾: 48H

Electrical data /电气参数

Withstand Voltage: 2000V AC r.m.s
耐压: 2000V AC
Rated Current: 13A(#16 contacts)
额定电流: 13A
Rated Voltage: DC110V
额定电压: DC110伏
Insulation Resistance: >5000MΩ
绝缘电阻: 大于5000兆欧姆
Contact Resistance: < 2.5mΩ
接触电阻: 小于2.5毫欧
Wire: 0.3~2.0mm²
线缆: 0.3~2.0平方

DIMENSIONS	TOLERANCES	PROJECTION	TITLE	
ANSI Y14.5M UNITS: MM CAD FILE	X XX ANGLES ± 0.5 ±0.25 ±0.5°		ASTP CONNECTOR 44PIN RECEPTACLE	
ORIGINAL NOT FOR CUSTOMER DISTRIBUTION	THIS DOCUMENT CONTAINS PROPRIETARY INFORMATION WHICH IS THE CONFIDENTIAL PROPERTY OF AMPHENOL PCD SHENZHEN		CHKD	SIZE
			APPD	A3
			ENG	DWG NO.
				ASTP440144PLC
			SCALE	1:1
			SHEET	1 OF 1
			REV	1